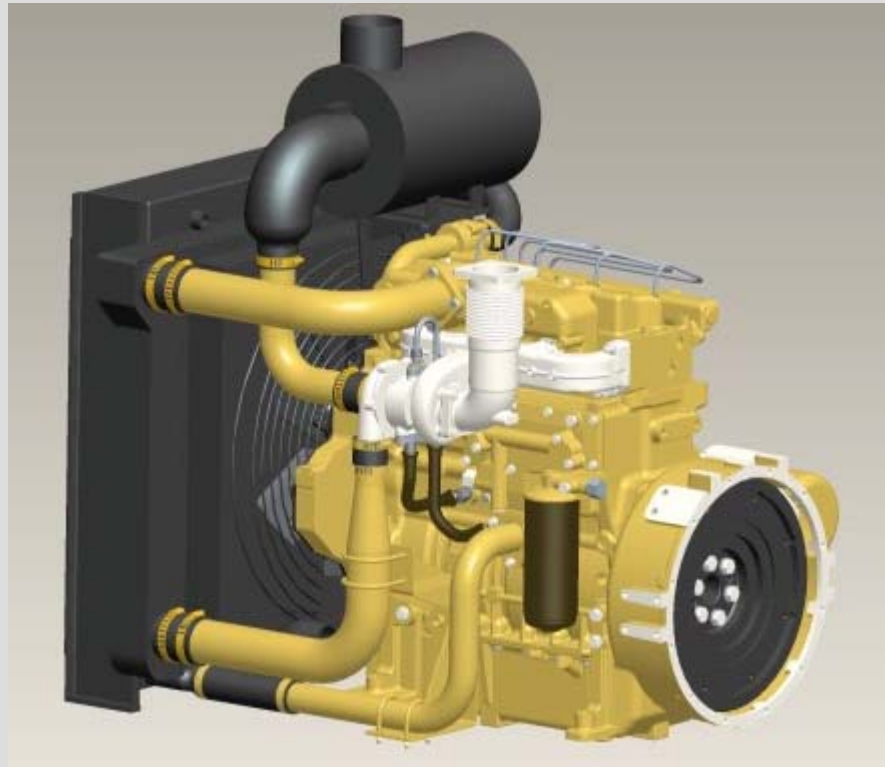




GREAVES COTTON LTD.

SPARE PARTS CATALOGUE



G SERIES – 4G11TAx ENGINE

GREAVES COTTON LTD.
Diesel Engines Unit,
Chinchwad, Pune 411019, India,
Tel: (91) – 20 – 27473564
Fax: (91) – 20 - 27472276



GREAVES COTTON LTD

WATER COOLED
DIESEL ENGINE
4G11 G SERIES

SPARE PARTS CATALOGUE



Diesel Engines Unit
Chinchwad, Pune- 411 019. INDIA
Tel. : (091-020) 27473564 /65/66/67
Fax: (091-020) 27472276
e-mail : avn@greavesmail.com



INTRODUCTION

This spare parts Catalogue comprises the purchasable and replaceable engine parts shown on diagrams and grouped according to their belongings.

On account of continuous technical development the figures and part lists are not binding.

Ordering of Spare Parts :

To enable us to supply correct spares please furnish following details :

1. Engine - Type (engraved on name-plate).

4G11TAx
x – Represent model G1, G2 --- ----
2. Engine Number (engraved on name-plate and crankcase).
3. Quantity, Description, Part No., and item No. of the Spare Part(s) required.
- 4, Mode of dispatch you wish.
5. Your address (please specify post or railway station if necessary).

WATER COOLED DIESEL ENGINE

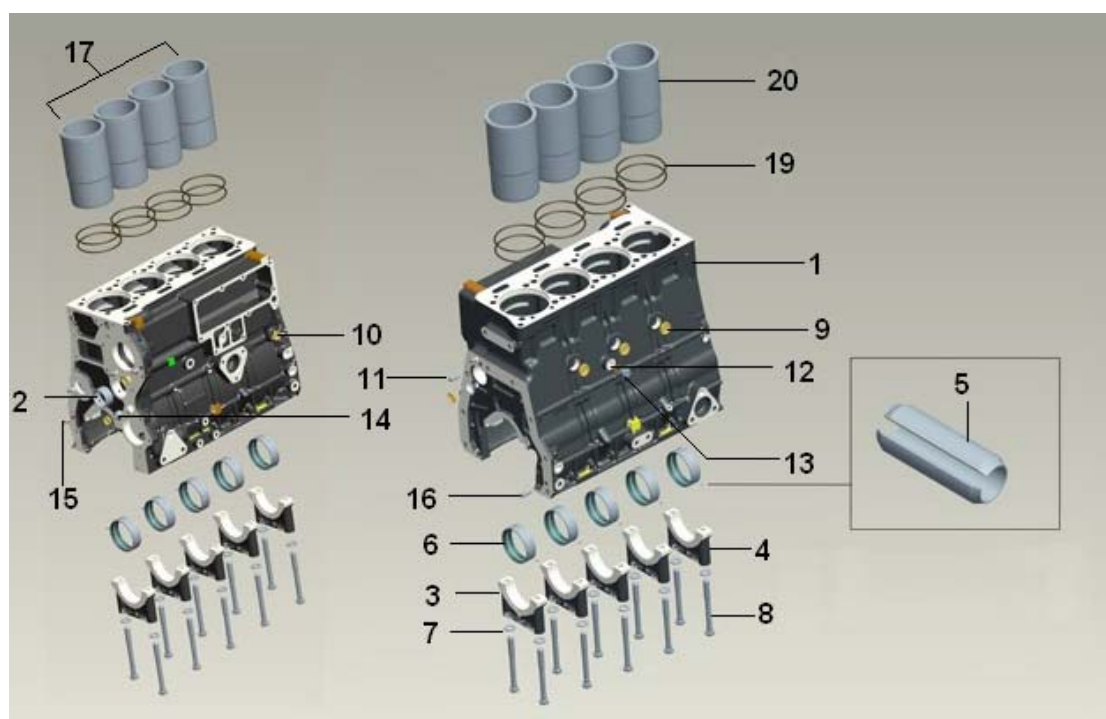




Contents

Sr. no	Description	Page number
1	Crankcase assembly	7,8
2	Crank shaft assembly	9,10
3	Camshaft assembly	11,12
4	Piston and Connecting Rod assembly	13,14
5	Cylinder Head assembly	15 -18
6	Air Intake Manifold & filter mounting arrangement	19,20
7	Air filter assembly	21,22
8	Exhaust manifold & exhaust system	23,24
9	Water manifold assembly	25,26
10	Oil header & filter assembly	27,28
11	Fuel pump assembly	29,32
12	Flywheel Housing & starter	33,34
13	Flywheel assembly	35,36
14	Gear end casing	37,38
15	Gear train assembly	39,40
16	Front cover & pulleys	41,42
17	Fan drive assembly	43,44
18	Alternator assembly	45,46
19	Lub. Oil Sump assembly	47,48
20	Water inlet pipe assembly	49,50
21	Engine foot	51,52
22	Radiator & radiator mounting	53,54
23	Turbocharger attachment	55 - 56
24	Gauges & switches	57 - 58
25	Set of spare	59 - 60
26	Numerical index	61 - 64

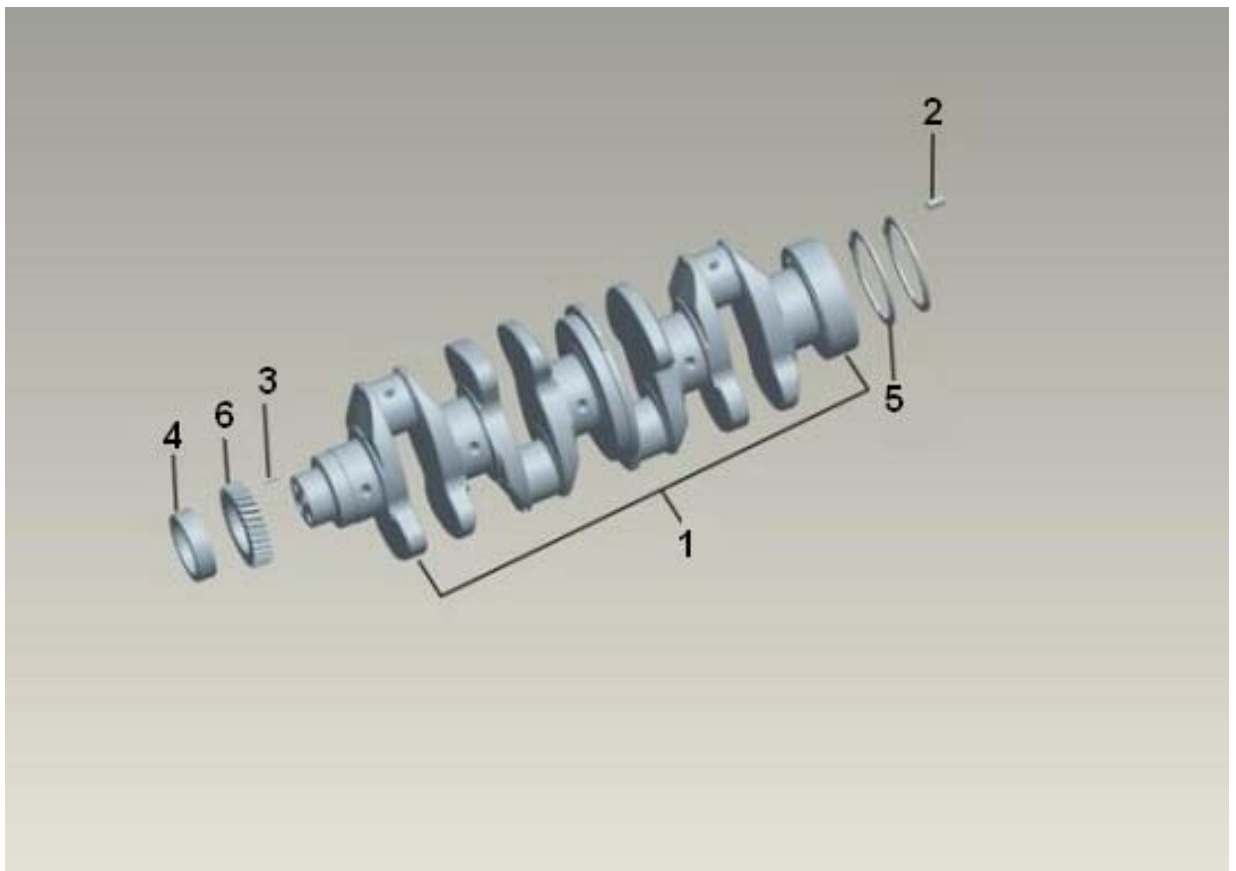
CRANKCASE ASSEMBLY





FIG, NO	PART NUMBER	SPECIAL DATA	DESCRIPTION	QTY	REMARK
	P21101100018		CRANKCASE ASSEMBLY	1	
1	P21101100016		Crank case machined finished	1	
2	141104320014		Cam bush finish	1	
3	P21101010012	M14 x 18 x 1.5	Main bearing cap type 1	1	
4	P21101010022		Main bearing cap type 2	4	
5	602201500406	4 x 6 mm	Spring dowel pin	5	
6	141104306017		Main bearing standard	5	
7	P21103400054		Washer for MB cap	10	
8	P21103500024		Main bearing cap bolt	10	
9	602152180030	30 mm	Core plug	3	
10	602152180025	25 mm	Core plug	4	
11	632413270014	10 x 11	Stopper aluminum plug	8	
12	102041002020	M 20 x 20 mm long.	Grub screw	1	
13	604920101420	M14 x 20 x 1.5	Cu. Washer	1	
14	602060501415	M14 x 1.5	Hex plug	1	
15	602201001020	M 10 x 20 mm	Solid dowel pin	2	
16	602201001028	M 10 x 28 mm	Solid dowel pin	2	
17	141100190058		Set of liners	1	
18	141100190047		Liner & O Rings pair	1	Not illustrated
19	104932111144		O Ring (Liner)	8	
20	P21101320014		Cylinder liner	4	
21	P21103510034		Lifting eye bolt	2	Not illustrated

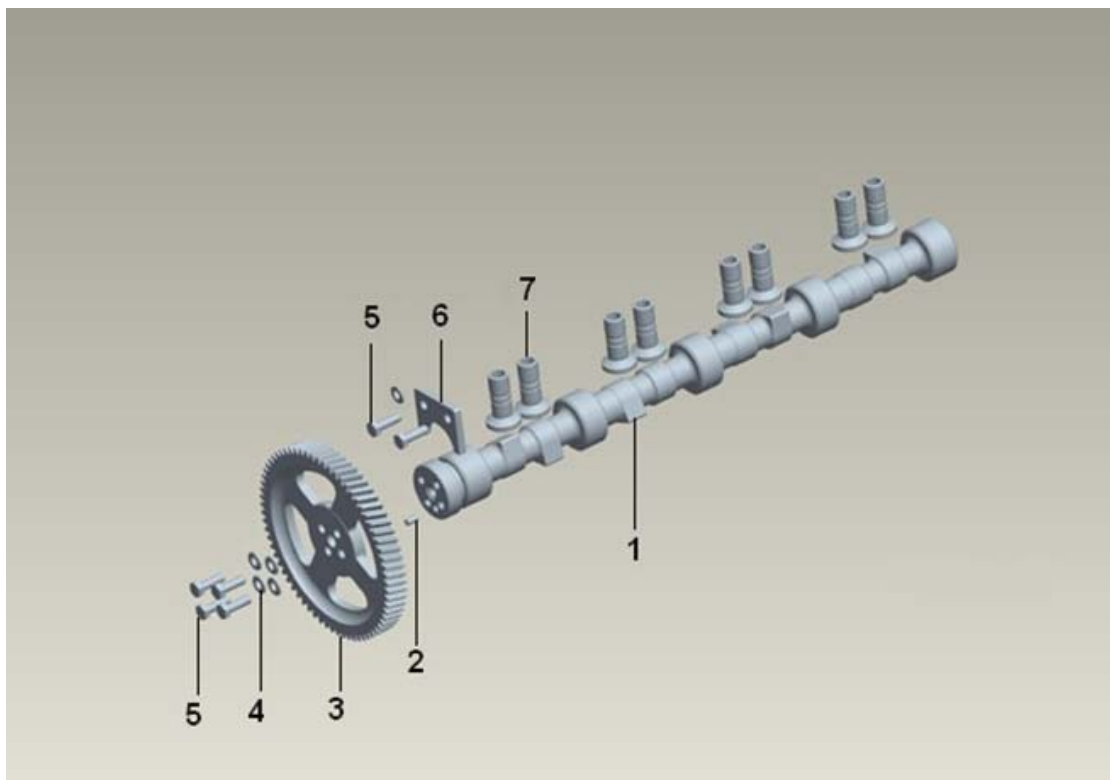
CRANKSHAFT ASSEMBLY





FIG, NO	PART NUMBER	SPECIAL DATA	DESCRIPTION	QTY	REMARK
	P21101400017		CRANK SHAFT	1	
1	P21101400016		Crank shaft assembly.	1	
2	602201001028	M10 x 28 mm	Solid dowel pin	1	
3	602201500416	M4 x 16 mm	Spring dowel pin	2	
4	P21103300014		Crank shaft sleeve	1	
5	141103400017		Thrust washer pair	2	
6	P21103710014		Gear crankshaft	1	

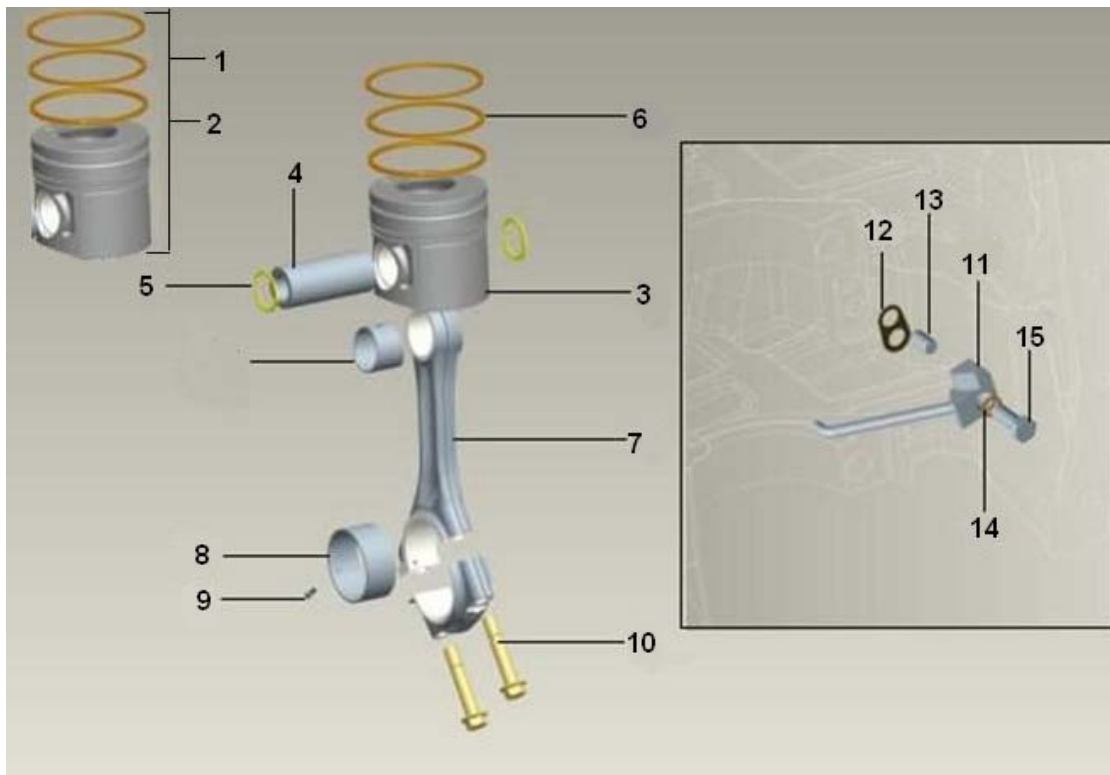
CAMSHAFT ASSEMBLY





FIG, NO	PART NUMBER	SPECIAL DATA	DESCRIPTION	QTY	REMARK
	P21101700016		CAMSHAFT ASSLY.	1	
1	P21101700014		Camshaft 4 cylinder	1	
2	602201000614	M6 x 14 mm	Solid dowel pin	1	
3	P21103710034		Gear camshaft	1	
4	602150100084	M8 x 17 x 1.6	Washer	6	
5	602000500825	M8 x 1.25 x 25 CL 8.8	Hex. screw	6	
6	P21106730014		Segment for camshaft	1	
7	P21103250014		Tappet	8	

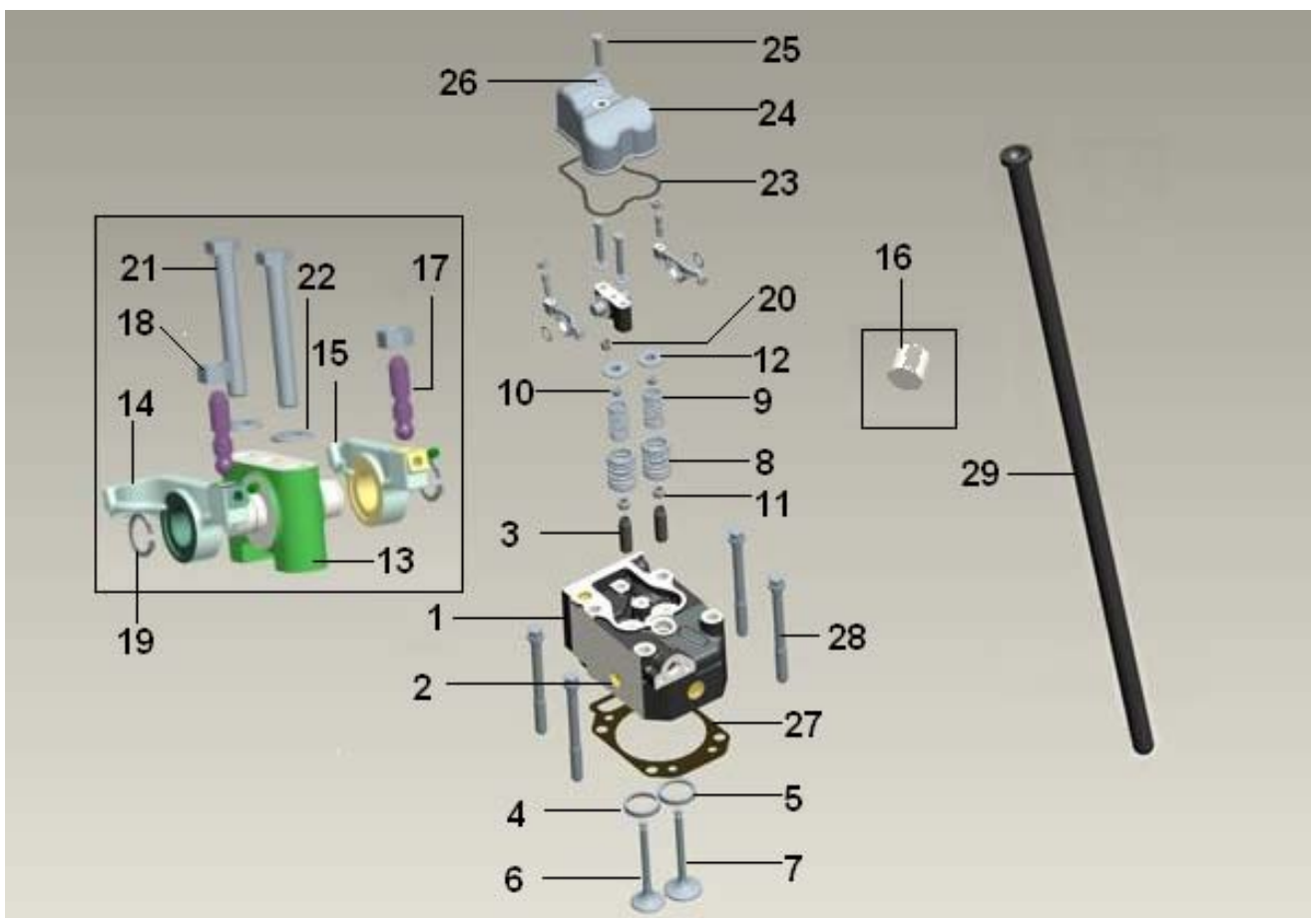
PISTON AND CONROD ASSEMBLY





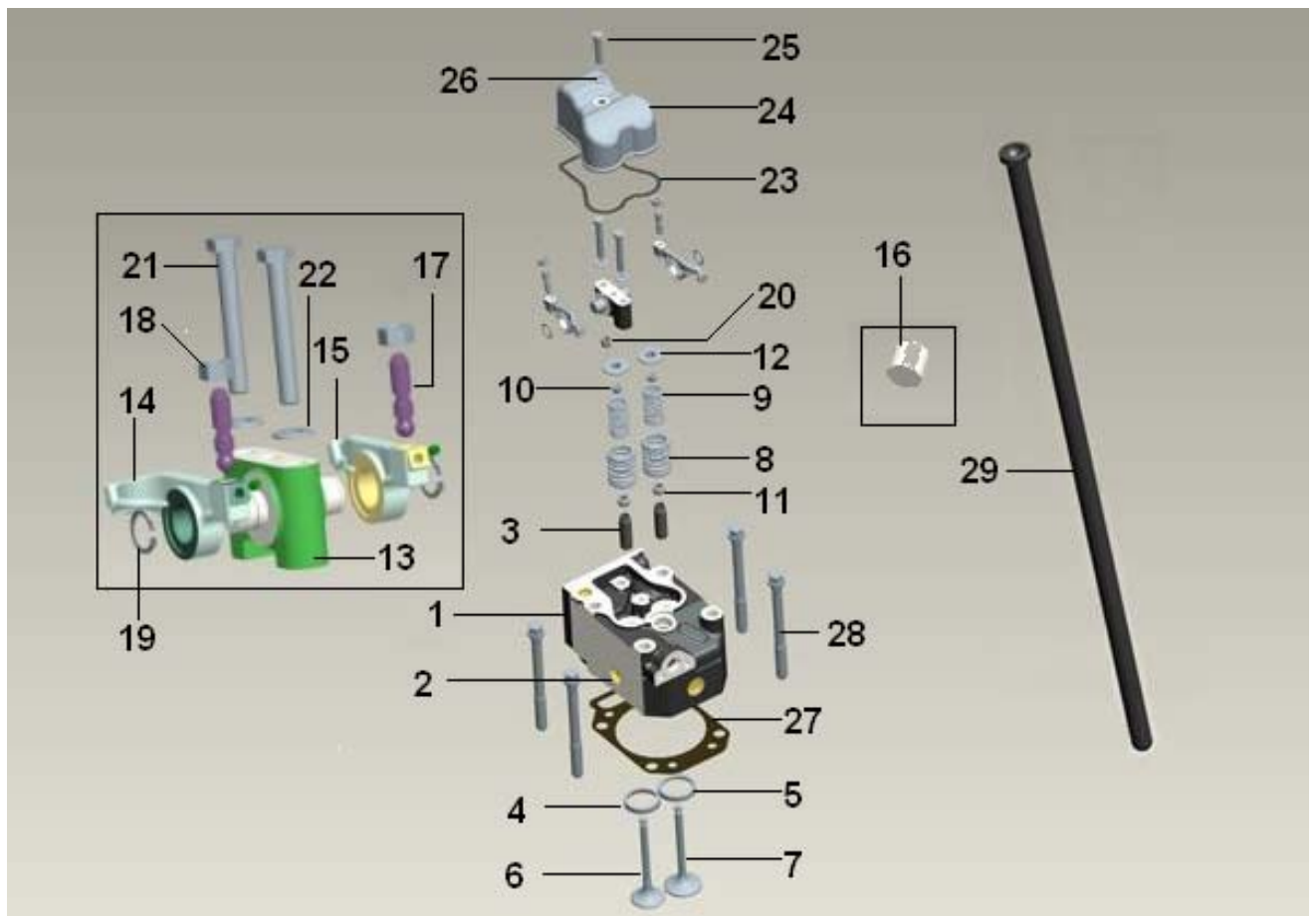
FIG, NO	PART NUMBER	SPECIAL DATA	DESCRIPTION	QTY	REMARK
	141101600019		CON ROD + PISTON ASSLY.	4	
1	P21101600016		PISTON + PIN + CIRCLIPS FOR G11 NA	1	
2	141100190218		Single set of piston & rings (Fig No - 3)	1	
3	P21101600014		Piston – 105 DIA.	1	TO BE SOLD ONLY WITH SET 1& 2
4	P05020303801		Gudgeon pin - Piston	1	TO BE SOLD ONLY WITH SET 1 & 2
5	603050100016	A16 IS-3075	Cir clip	2	
6	141100190098		Set of piston rings	1	
7	P21101600018		CON ROD ASSLY COMPLETE	1	
8	P21104306017		CON ROD BRG. TOP + BOTTOM	1	
9	P02201000414		Locking pin	1	
10	P21103530024	M12 x 1.25 x 67	Con rod bolt	2	
11	P21104650046		Piston cooling nozzle assly.	1	
12	141108530134		Gasket, piston cooling nozzle	1	
13	602201000814		Piston cooling nozzle dowel	1	
14	604920100814		Copper washer	1	
15	P04043300826	M8 x 26	Banjo screw	1	

CYLINDER HEAD ASSEMBLY



FIG, NO	PART NUMBER	SPECIAL DATA	DESCRIPTION	QTY	REMARK
	P21101800018		CYLINDER HEAD ASSEMBLY	4	
1	P21101800014		Cylinder head machined	1	
2	602152180025	25mm	Core plug	6	
3	141103320014		Valve guide	2	
4	141103450024		Inlet valve seat insert	1	
5	141103450014		Exhaust valve seat insert	1	
6	P21104600014		Inlet valve	1	
7	P21104600024		Exhaust valve	1	
8	P02403101001		Valve spring outer	2	
8A	141100190138		Set of spring	1	Not illustrated
9	P02402201001		Valve spring inner	2	
10	P21104620014		Valve collet	4	
11	P04960650121		Valve stem seal	2	
12	P21103420014		Spring cap	2	
	P21106100027		ROCKER ASSEMBLY	1	
13	P21106100024		Rocker arm support	1	
14	P21106450014		Rocker arm (Inlet)	1	
15	P21106450024		Rocker arm (Exhaust)	1	
16	P21103270014	DIA 4MM x 3.5L	Plug aluminum	2	
17	P21103580014		Set screw	2	
18	602100540810	M8 x1 DIN 934	Nut for Rocker Arm screw	2	
19	603050100016	A16 IS-3075	Cir clips	2	
20	102201501110	M11 x 10 mm	Hollow dowel	1	

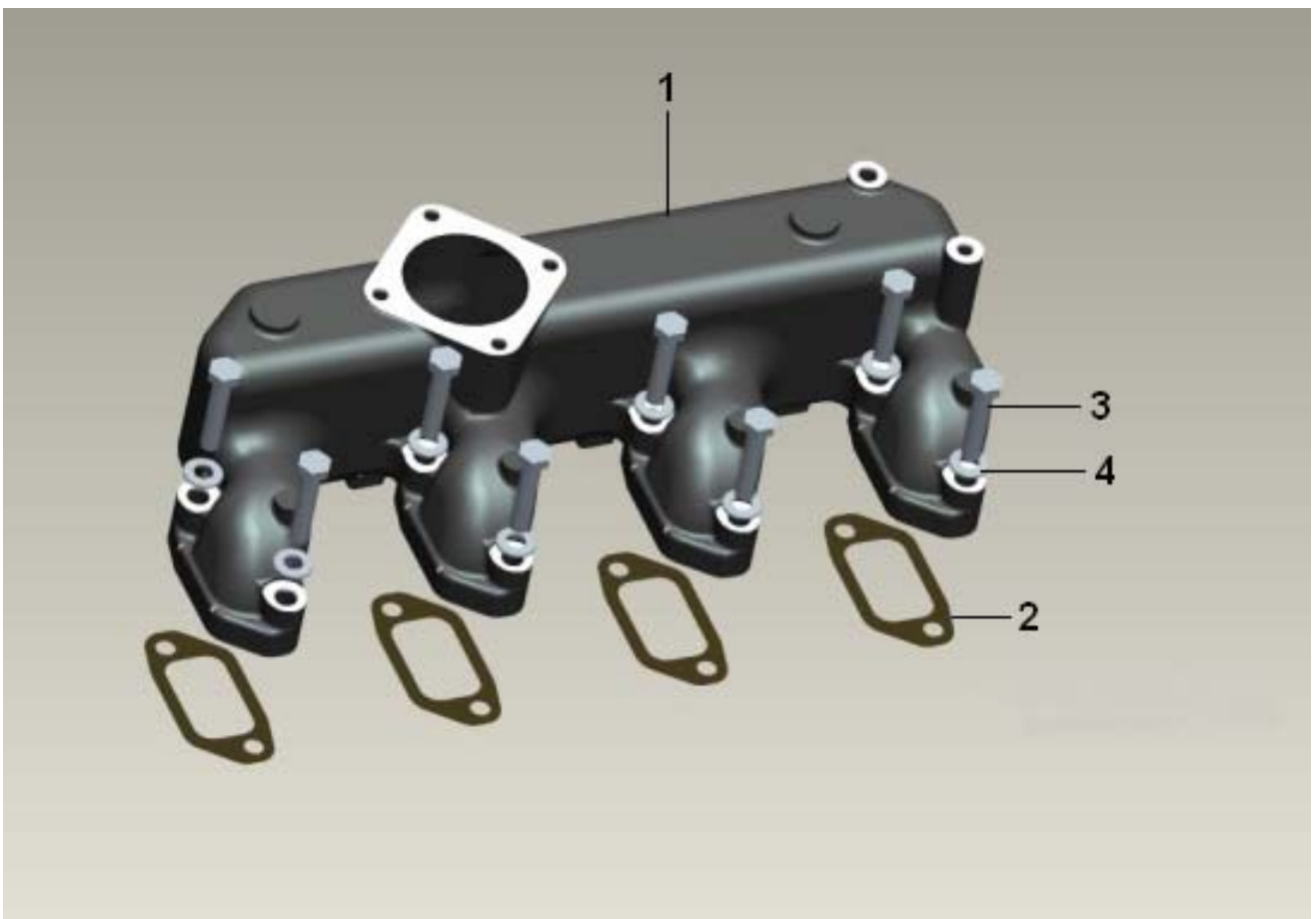
CYLINDER HEAD ASSEMBLY





FIG, NO	PART NUMBER	SPECIAL DATA	DESCRIPTION	QTY	REMARK
21	602000120860	M8 x 1.25 x 60 10.9 CL	Hex screw for rocker support	2	
22	602150100084		Washer for rocker cover bolt	2	
23	P21108530304		Gasket for rocker cover	1	
24	P21107960024		Rocker cover	1	
25	602000120860	M8 x 1.25 x 60 10.9 CL	Bolt for rocker cover	1	
26	P21103400104		Cu. Washer	1	
27	P21108540014		Gasket cylinder head	1	
28	P21103500014	M14 x 150	Bolts for cylinder head	4	
29	P21103210014		Push rod	2	

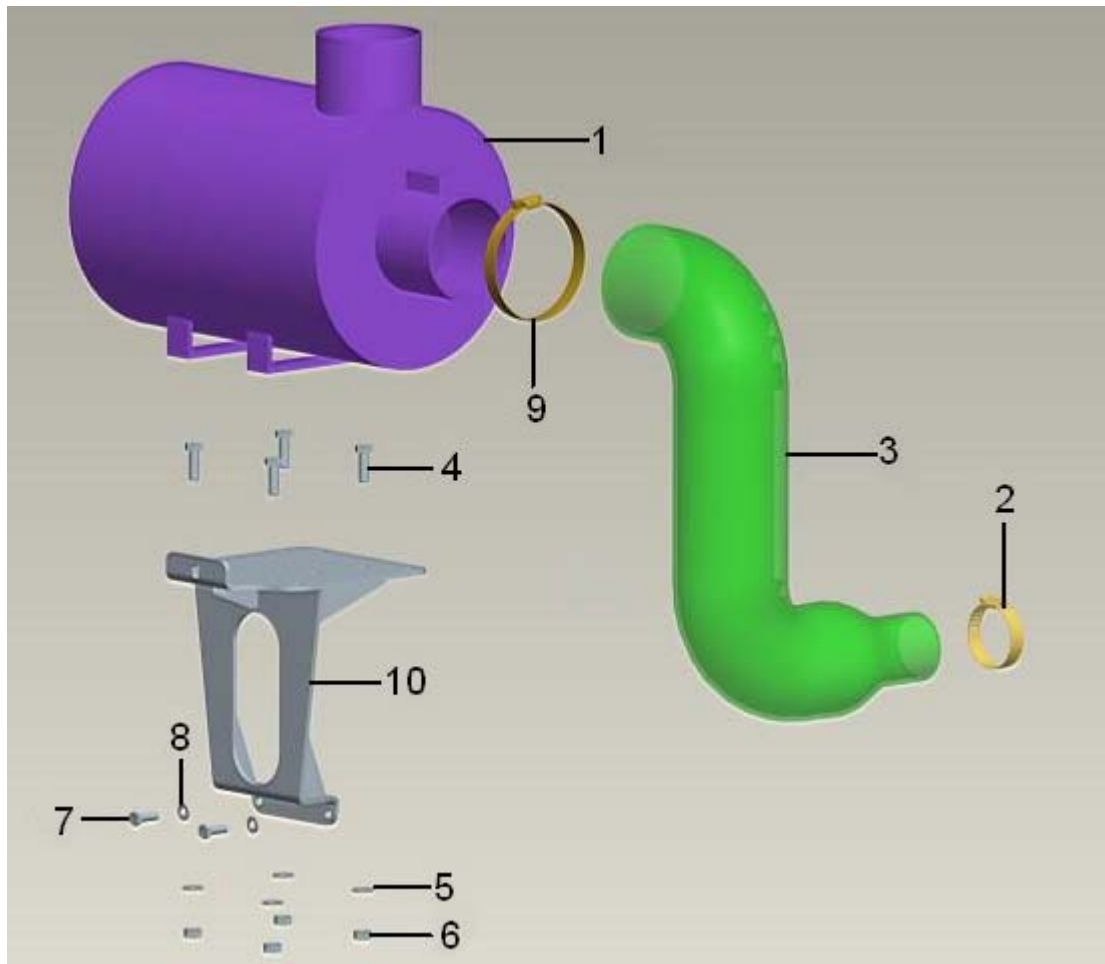
AIR INTAKE MANIFOLD ASSEMBLY





FIG, NO	PART NUMBER	SPECIAL DATA	DESCRIPTION	QTY	REMARK
	P21109200027		AIR INTAKE MANIFOLD ASSLY. TA	1	
1	P21109200014		Air Inlet manifold machined	1	
2	P21108510014		Gasket air intake manifold	4	
3	602000101050	M10X50 8.8/CL	Hex bolt	8	
4	602150100105	M10	Washer	8	

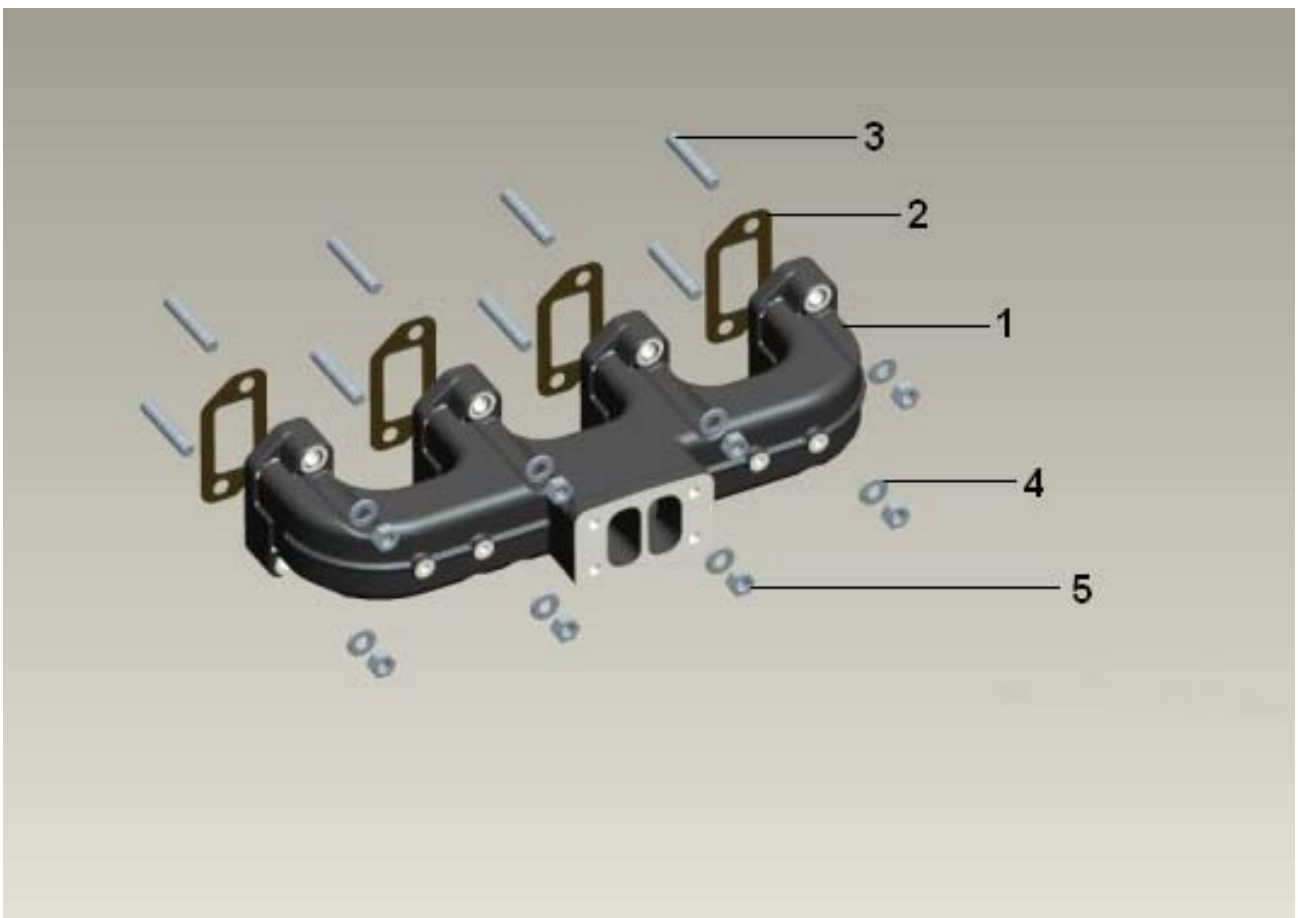
AIR FILTER ASSEMBLY





FIG, NO	PART NUMBER	SPECIAL DATA	DESCRIPTION	QTY	REMARK
	P21109230057	8m3/HR-MAHLE	AIR FILTER ASSEMBLY	1	
1	P21109230047		Air filter assembly	1	
1A	P21109230041		Air filter element 4G11TA	1	Not illustrated
1B	10576101002		Restriction indicator	1	Not illustrated
	P21109230067		AIR CLEANER MTG ARRANGE FOR TA		
2	604015300650	60-80/3X	Hose clip	1	
3	P21108610114	DIA 60/106 FOR 8m3	Hose	1	
4	602000501020	M10X1.5X20 8.8CL	Hex screw	4	
5	602150100105	A10.5 (M10)	Plain washer	4	
6	602100540100		Hex nut.	4	
7	602000500825	M8X1.25X25 CL8.8	Hex screw	2	
8	602150100084	M8X17X1.6	Washer	2	
9	604015301050	100-125/6	Hose clip	1	
10	P21106232744		Bracket-air filter	1	

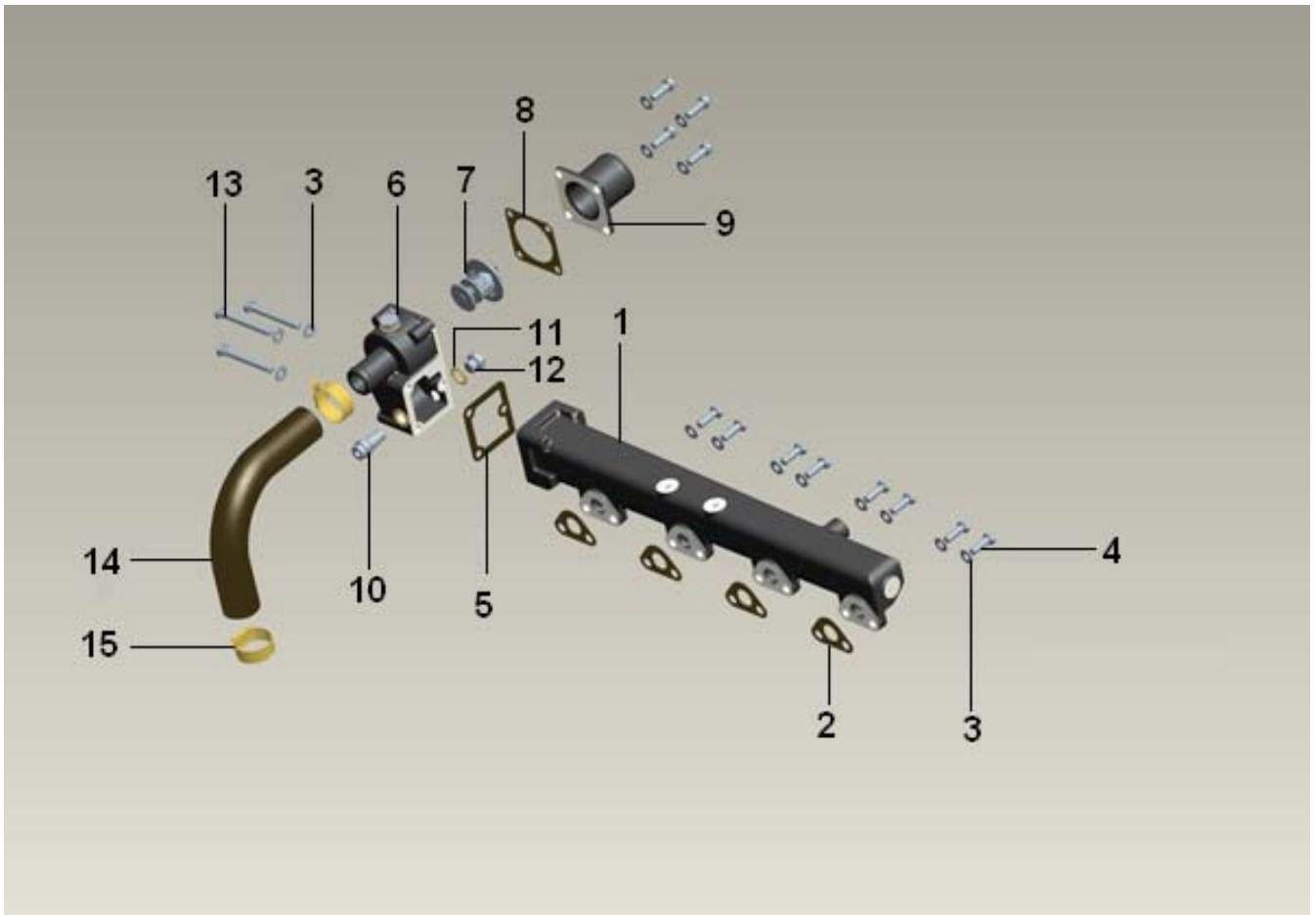
EXHAUST MANIFOLD ASSEMBLY





FIG, NO	PART NUMBER	SPECIAL DATA	DESCRIPTION	QTY	REMARK
	P21109310017		EXHAUST MANIFOLD ASSLY.	1	
1	P21109310014		Exhaust manifold	1	
2	P21108530104		Gasket exhaust manifold	4	
3	102011071050	M10 x 50 mm lg.	Stud	8	
4	602150100105	A10.5	Plain washer	8	
5	602100700100	M10	Hex. nut	8	

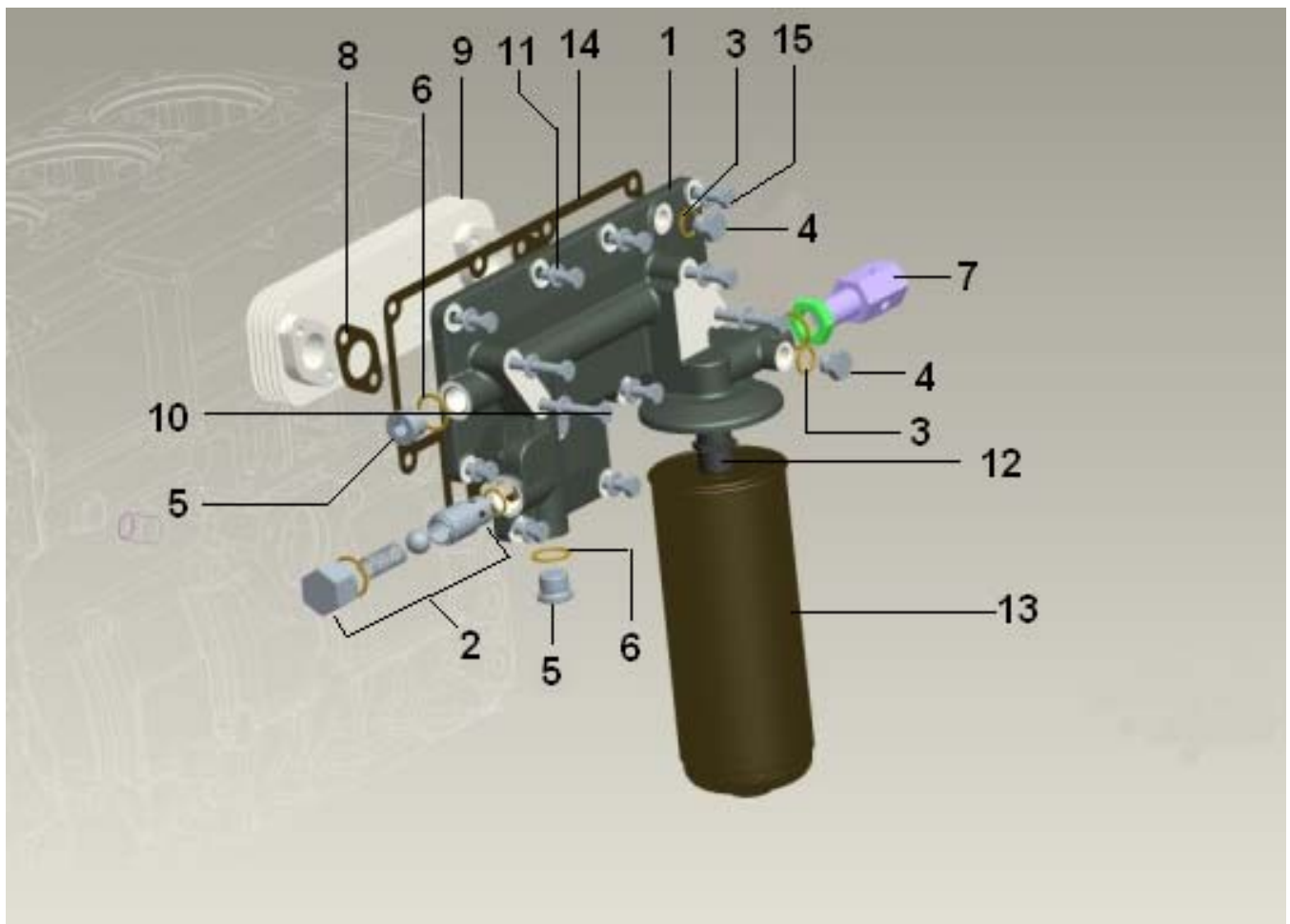
WATER MANIFOLD ASSEMBLY





FIG, NO	PART NUMBER	SPECIAL DATA	DESCRIPTION	QTY	REMARK
	P21109100017		WATER MANIFOLD ASSLY.	1	
1	P21109100014		Water manifold machined	1	
2	P21108530074		Gasket water manifold	4	
3	602150100084	M8 x 17 x 1.6	Washer	15	
4	602000500825	M8 x 1.25 x 25 CL 8.8	Hex screw	12	
5	P21108530154		Gasket for thermostat housing	1	
6	P05250100003		Thermostat housing	1	
7	P05250100002		Thermostat element	1	
8	P21108530164		Gasket for thermostat cover	1	
9	P21109420054		Water outlet connection	1	
10	P21193550014		Thermo well	1	
11	604920101420	M14 x 20 x 1.5	Cu. washer	5	
12	602060501415	M14 x 1.5	Hex. plug	4	
13	602000100865	M8 x 65 – 8.8 CL	Hex. screw	3	
14	P21108610024	DIA 31.5	Hose for bypass	1	
15	104015150040	SS W3/ IS 4762 / 1X	Hose clip	2	

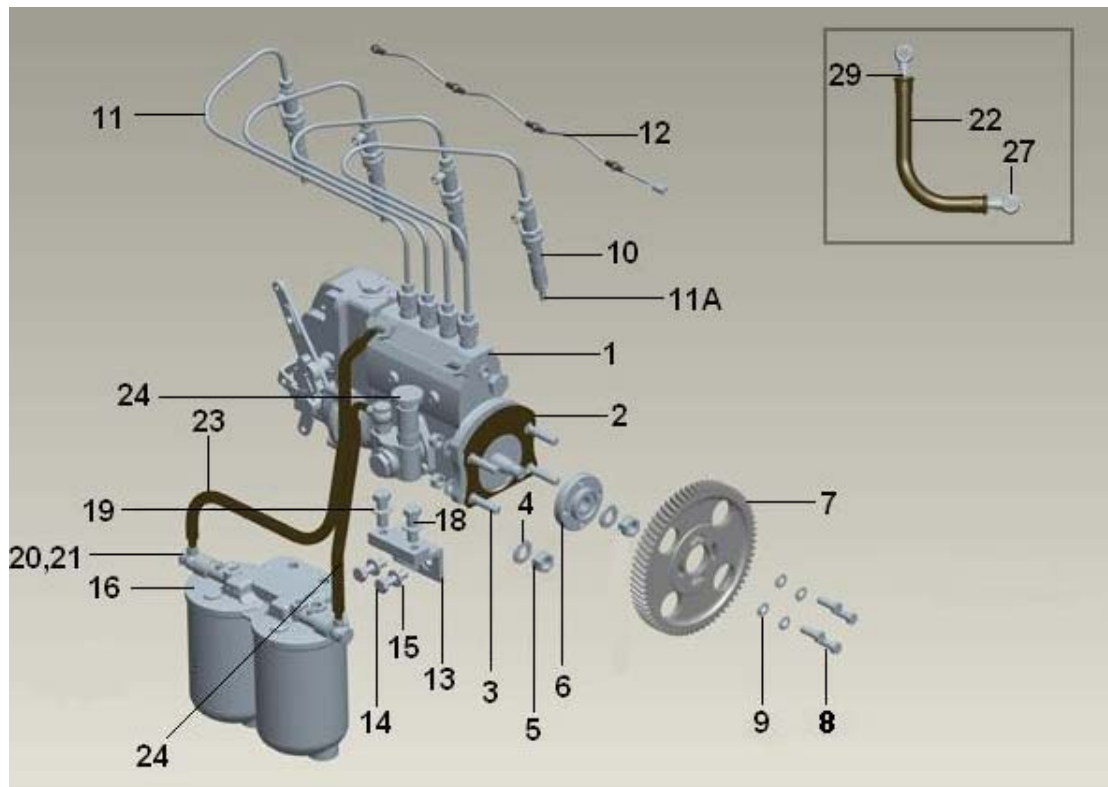
LUB OIL HEADER AND LUB OIL FILTER





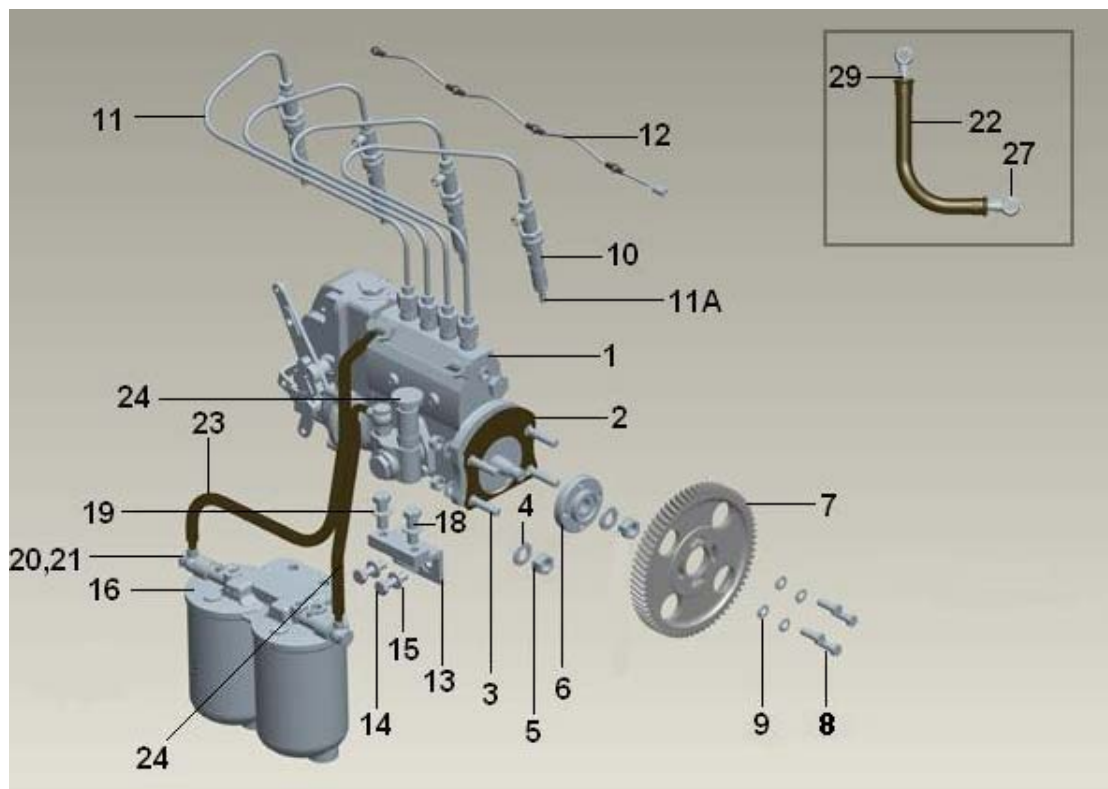
FIG, NO	PART NUMBER	SPECIAL DATA	DESCRIPTION	QTY	REMARK
	P21109400017		LUB OIL HEADER & OIL FILTER	1	
1	P21107520014		Oil header machined	1	
2	P06962970002		Relief valve assly	1	
3	604920101620	A/16-20 x 1.5	Copper washer	1	
4	602060501415	M14 x 1.5	Hex plug	2	
5	P02041002018	20x 18 mm	Allen Plug	2	
6	604920102227	A22X1.5X27	Cu. washer	5	
7	P21103550044	M10X1mm	Adaptor for pressure sensor	1	
8	P21108520014		Gasket for oil cooler	2	
9	P21109400015		Oil cooler cartridge	1	
10	602000100855	M8X1.25X55 8.8CL	Hex bolt	4	
11	602150100084	M8 x 17 x 1.6	Washer	14	
12	P04041110001	M24 x 1" UNF	Adaptor	1	
13	605411880008		Lub oil filter	1	
14	P21108530054		Gasket for oil header assembly	1	
15	602000500825	M8 x 1.25 x 25	Hex-screw	10	
16	604920101420	A14 X 20	Cu. washer	2	Not illustrated
17	604920102530	A25 X 30	Cu. washer	1	Not illustrated

FUEL PUMP WITH DRIVE



FIG, NO	PART NUMBER	SPECIAL DATA	DESCRIPTION	QTY	REMARK
	P21107250017		FUEL PUMP WITH DRIVE.	1	
1	105200240009		Fuel pump 4G11 TP F002A0Z626	1	
2	P21108530174		Gasket for fuel pump	1	
3	602012021030	M10 x 30 -8.8 CL	Stud	4	
4	602150100105	A10.5	Washer for fuel filter bracket	4	
5	602100540100	M10	Hex. Nuts DIN 934	4	
6	P21104110014		Adaptor for fuel pump	1	
7	P21103710044		Fuel pump gear	1	
8	602000500825		Hex. Bolts for fuel pump gear	4	
9	602150100084	M8X17X1.6	Washer	4	
10	105302000055		Injector MICO	4	
11	P21109060017		High pr. pipe set 4G11 engine	1	
11A	P05300100001		Nozzle MICO	4	
12	P21109390055		Leak off pipe	1	
13	P21106370035		Bracket for fuel filter	1	
14	602000501025	M10 x 25	Hex. screw	2	
15	602150100105	A10.5	Washer	2	
16	001200240183		DB Fuel filter	1	
17	001200240911		Fuel filter element (Pre filter)	1	Not illustrated
17A	001200240912		Micro filter (star type)	1	Not illustrated
18	602000501235	M12 x 1.75 x 35 8.8 CL.	Hex. Bolts for fuel filter mounting	2	
19	602150100130		Washer for fuel filter mounting	2	
20	604043200008	M14 x 1.5 x 31 lg.	Banjo bolts	2	

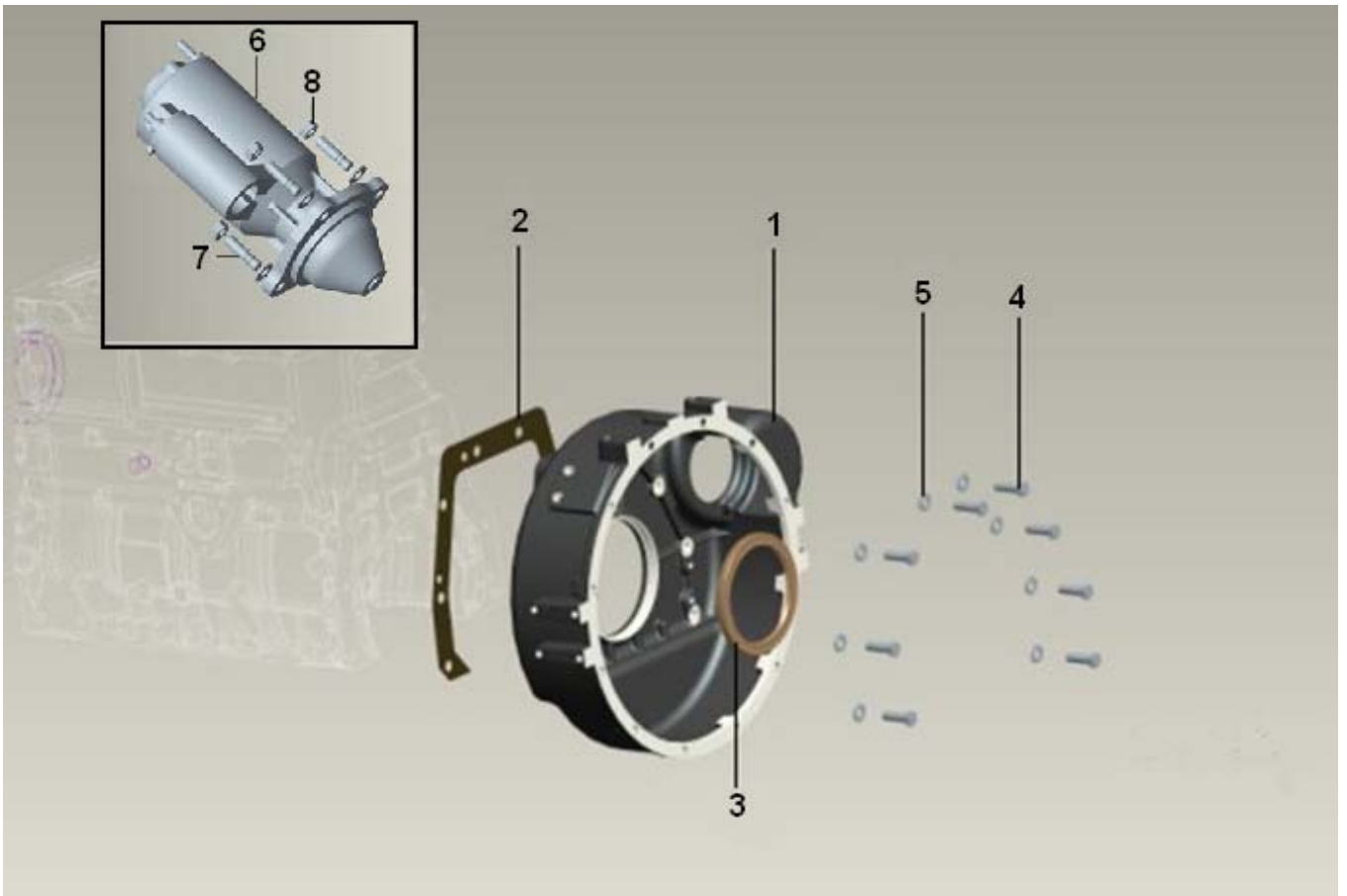
FUEL PUMP WITH DRIVE





FIG, NO	PART NUMBER	SPECIAL DATA	DESCRIPTION	QTY	REMARK
21	604920101420	M14 x 20	Cu. Washer	8	
22	P21109010055		Pipe, FIP oil supply	1	
23	P21109390025		Fuel Pipe, Filter to FIP	1	
24	P21109390085		Feed pump pipe	1	
25	P21107240118		Clamp for higher pressure	1	Not illustrated
26	P21107240018		Clamp for fuel flex. pipe	1	Not illustrated
27	P04043301022	M10 x 22	Banjo screw	2	
28	604043200004		Banjo bolt	8	Not illustrated
29	604920101014		Cu. washer	4	
30	602060501415		Hex. Plug M14 x 1.5	4	Not illustrated

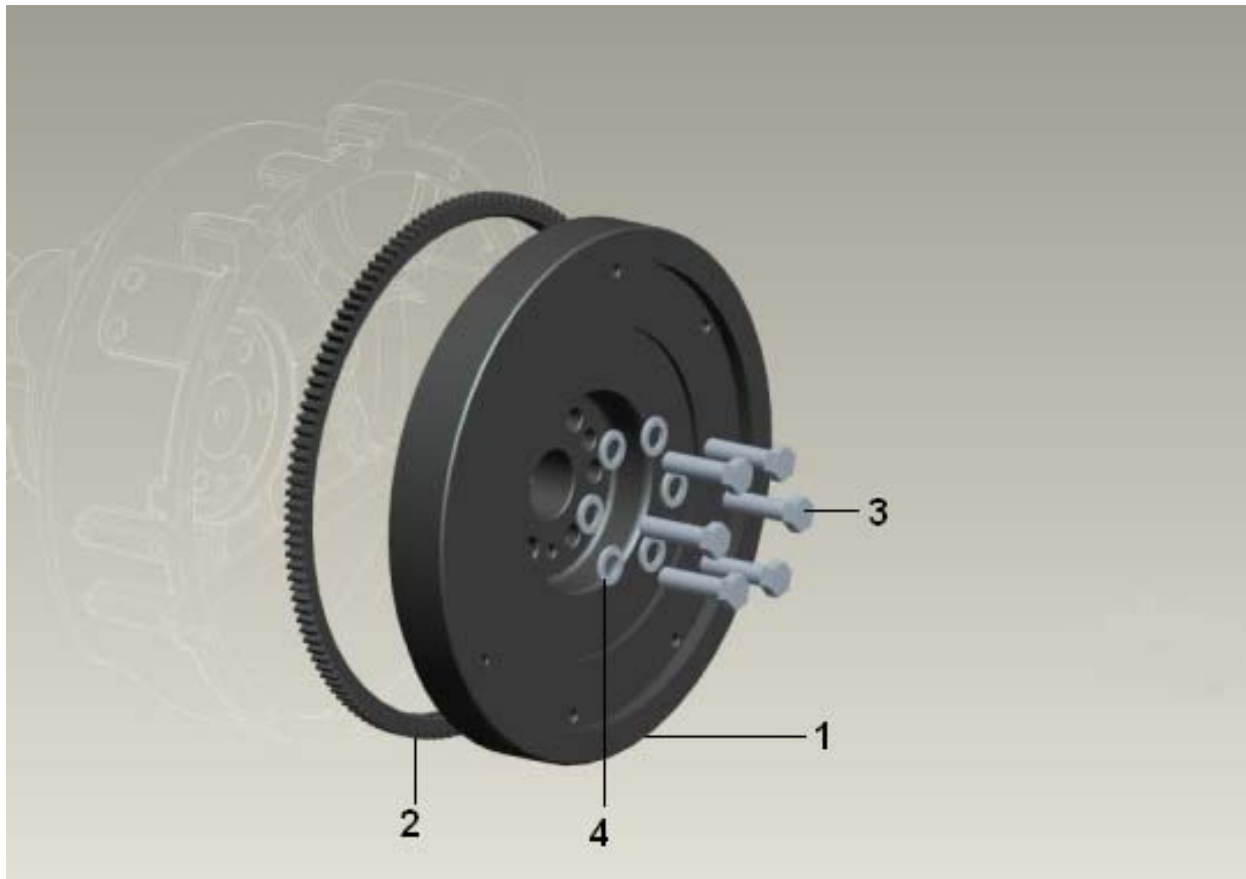
FLYWHEEL HOUSING SAE-3





FIG, NO	PART NUMBER	SPECIAL DATA	DESCRIPTION	QTY	REMARK
	P21107010017		FLYWHEEL HOUSING SAE-3	1	
1	P21107010014		Flywheel housing	1	
2	P21108530114		Gasket for flywheel housing	1	
3	104960650160	130 -160 -12	Oil seal	1	
4	602000501240	M12 x 40 8.8	Hex screw	8	
5	602150100130	13 x 24 x 2.5	M S Washer	8	
6	000707530229		ESM 12V*6M14 (STARTER)	1	
7	602012021030		Stud bolts	3	
8	602100540100	M10 DIN – 934 M10	Hex nut	3	
9	602150100105	A 10.5	Plain washer	4	Not illustrated
10	602000501020	M10 x 20 – 8.8CL	Hex. screw	1	Not illustrated

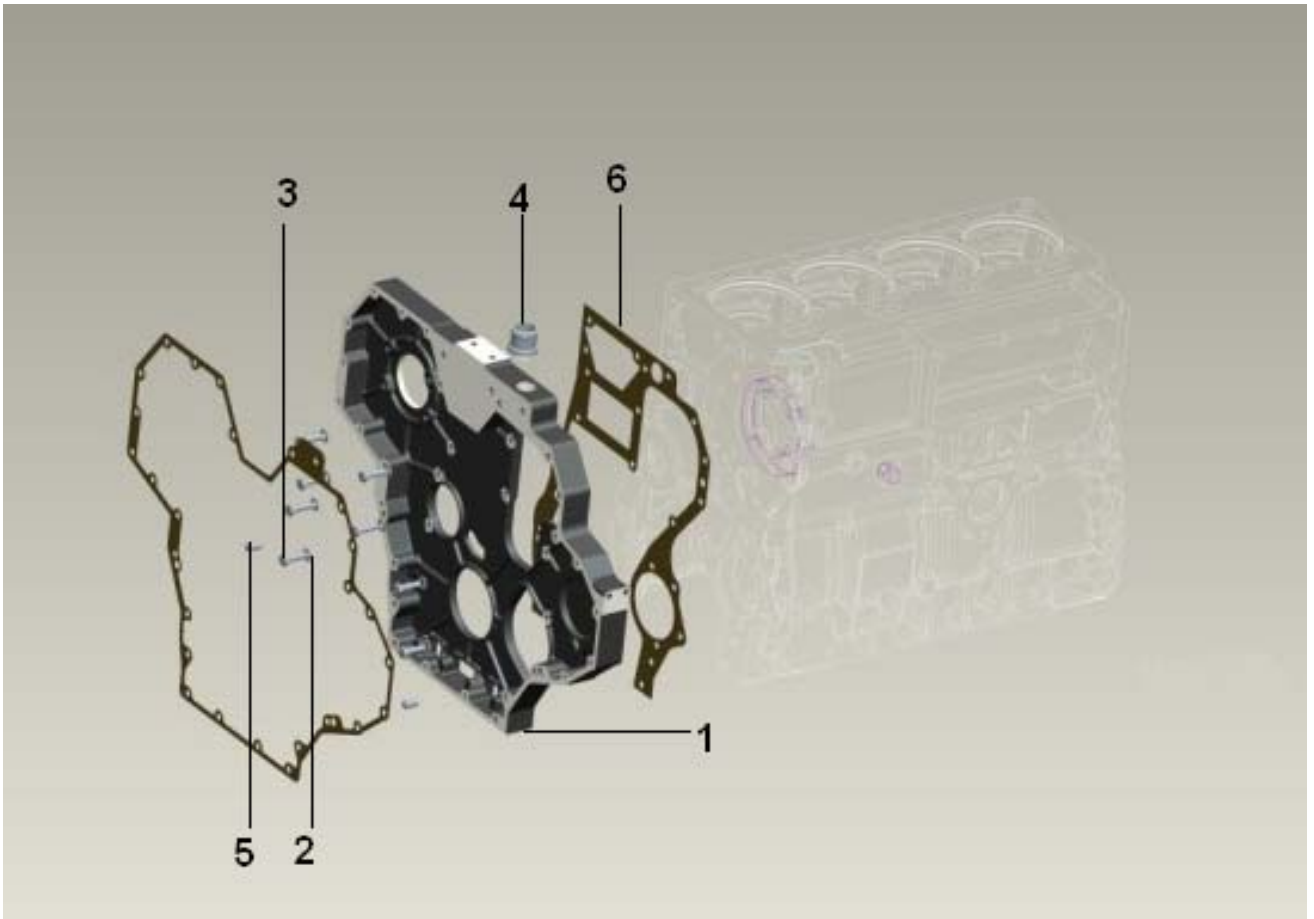
FLYWHEEL ASSEMBLY





FIG, NO	PART NUMBER	SPECIAL DATA	DESCRIPTION	QTY	REMARK
	P21101450017		FLYWHEEL ASSEMBLY	1	
1	P21101450014		Flywheel machined	1	
2	P21103750014		Starter Ring	1	
3	602000101660	M16 x 60	Hex. screw for flywheel	6	
4	602150100170	17 x 30 x 3.0	Washer for flywheel	6	

GEAR END CASING





FIG, NO	PART NUMBER	SPECIAL DATA	DESCRIPTION	QTY	REMARK
	P21107800017		GEAR END CASING	1	
1	P21107880014		Gear end casing	1	
2	602150100084	M8 x 17 x 1.6	Washer	8	
3	602000500825	M8 x 1.25 x 25 CL 8.8	Hex. Screw	8	
4	P21103550014		Sleeve for water connection	1	
5	602201001020	M10 x 20 mm	Solid dowel	2	
6	P21108530034		Gasket gear end casing	1	

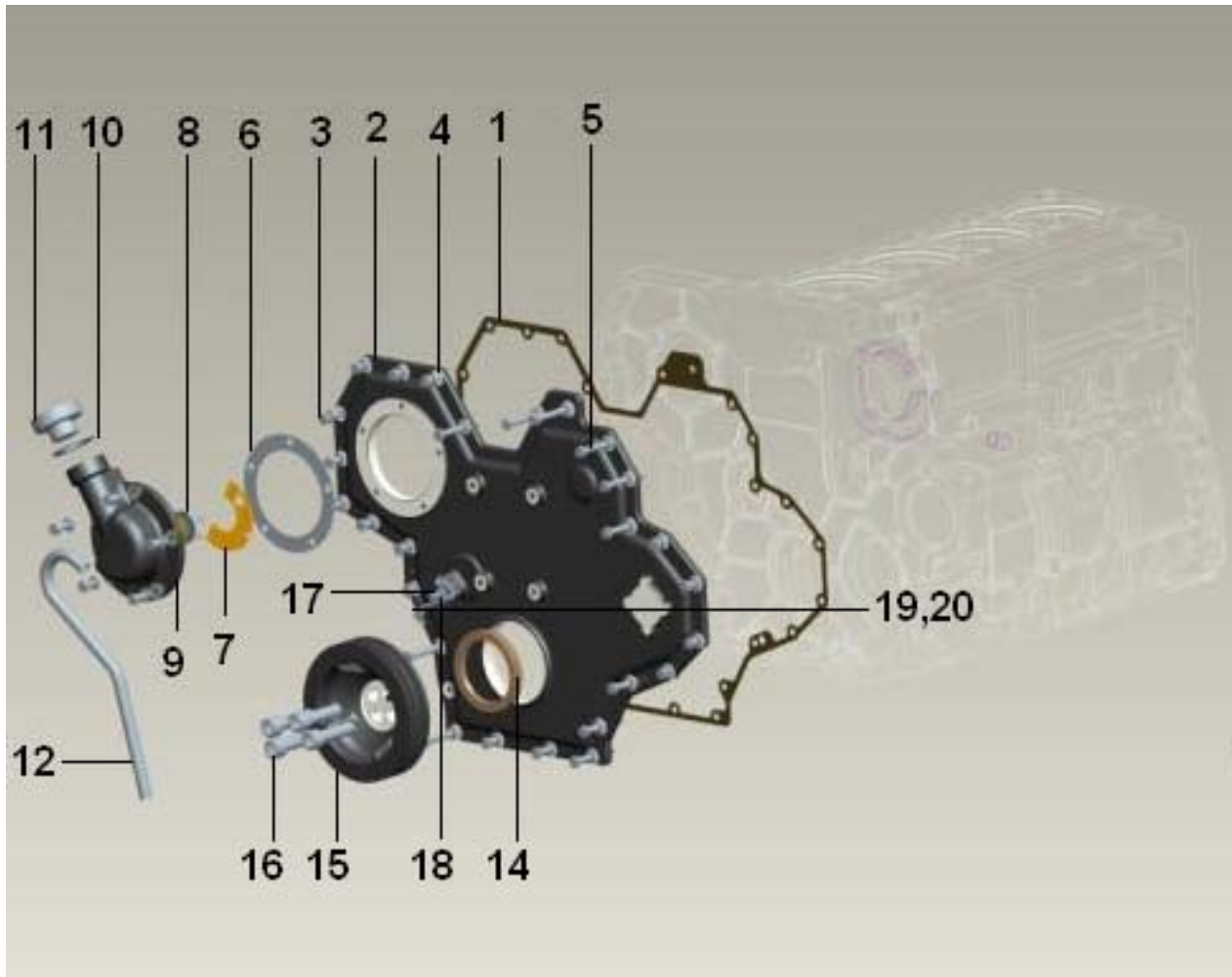
GEAR TRAIN ASSEMBLY





FIG, NO	PART NUMBER	SPECIAL DATA	DESCRIPTION	QTY	REMARK
	P21103710018		GEAR TRAIN ASSEMBLY	1	
1	P21107310017		Water pump assembly.	1	
2	104932117704		'O' Ring	1	
3	104932119204		'O' Ring	1	
4	602000500825	M8 x 1.5 x 25 - 8.8CL	Hex screw	6	
5	602150100084	M8 x 17 x 1.6	Washer	6	
6	P21108530224		Gasket for oil strainer	1	
7	602000500610	M6 x 10mm - 8.8CL	Hex screw	1	
8	602150100064	M6	Washer	1	
9	P21109010015		Oil Suction strainer	1	
10	P21107300017		Lub oil pump assembly	1	
11	104932117802		O ring for lub oil pump	1	
12	P21103710026		Idler gear + bush assly.	1	
13	P21103000024		Idler shaft	1	
14	P21106500014		Idler plate	1	
15	602000101060	M10 x 60 - 8.8CL	Hex screw	3	
16	602150100105	M6	Plain Washer	3	
17	P21104650025		Nozzle for gear lubrication	1	
18	P04043300826	M8 x 26	Banjo screw	1	
19	604920100814		Copper washer	4	
20	P21103710064		Gear lub. oil pump	1	

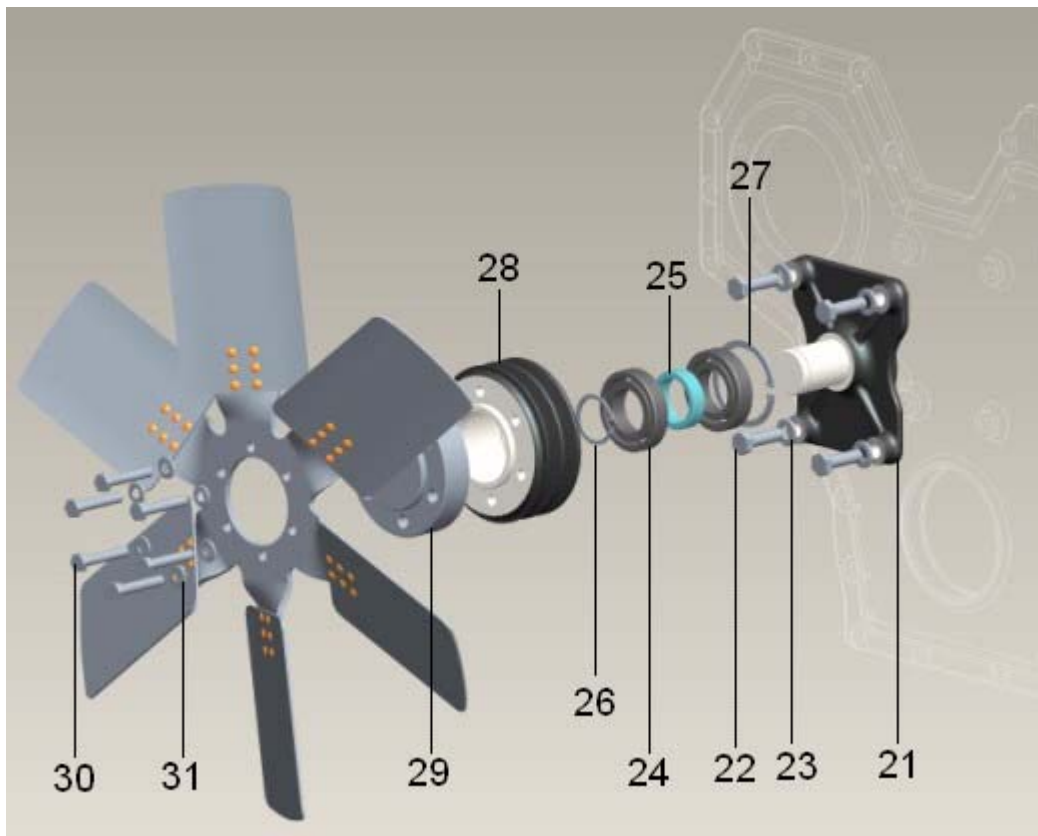
FRONT COVER ASSEMBLY





FIG, NO	PART NUMBER	SPECIAL DATA	DESCRIPTION	QTY	REMARK
	P21107800027		FRONT COVER ASSEMBLY	1	
1	P21108530024		Gasket for front cover	1	
2	P21107800024		Front cover	1	
3	602000500825	M8X1.25X25 CL8.8	Hex screw	20	
4	602150100084	M8	Washer	31	
5	602000100860	M8X1.25X60 8.8CL	Hex. screw	11	
6	P21108530044		Gasket for fuel pump cover(spout)	1	
7	P21106500034		Plate for breather (spout)	1	
8	100000120024		Perforated Sheet	1	
9	P21107870014		Oil filler cover	1	
10	P21108550014		Sealing Ring for oil filler cover	1	
11	P21103520014		Oil filler cap	1	
12	P21109420034		Blow by pipe	1	
13	001700531019		Clip for conduit	1	Not illustrated
14	104960650100		Oil seal gear end	1	
15	P21103810014		Crank shaft pulley	1	
16	602007041660	M16 x 60 -12.9	Allen screw for crank pulley	4	
17	602201000512	M5X12MM	Solid dowel pin	1	
18	P21106500024		Pointer	1	
19	602000500610	M6 x 10	Hex screw	1	
20	602150100064	M6	Washer	1	

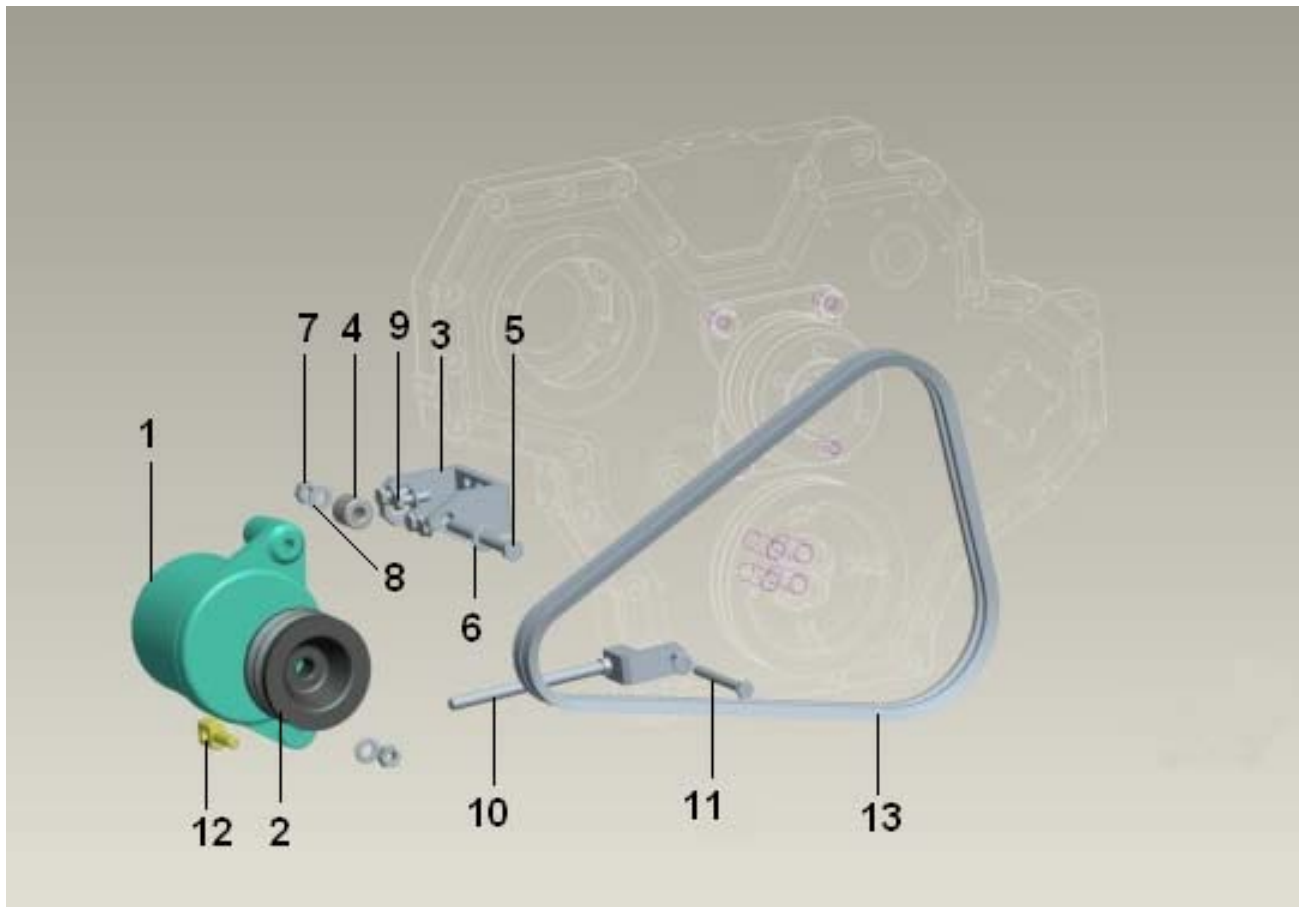
FAN DRIVE ASSEMBLY





FIG, NO	PART NUMBER	SPECIAL DATA	DESCRIPTION	QTY	REMARK
	P21107350017		FAN DRIVE ASSEMBLY	1	
21	P21106230014		Fan drive bracket machined	1	
22	602000501030	M10 x 30 DIN 933 - 8.8	Hex. Screw	4	
23	602150100105	M10	Washer	4	
24	603200716007		Bearings for fan drive bracket	2	
25	P21103300034		Spacer Ring	1	
26	603050200062		Circlip internal	1	
27	603050100035		Circlip external	1	
28	P21103810024		Pulley for fan drive	1	
29	P21103300044		Spacer for fan drive assembly	1	
30	602000100840	M8 x 40 -8.8 CL	Hex. bolt	6	
31	602150100084	M8	Washer	6	

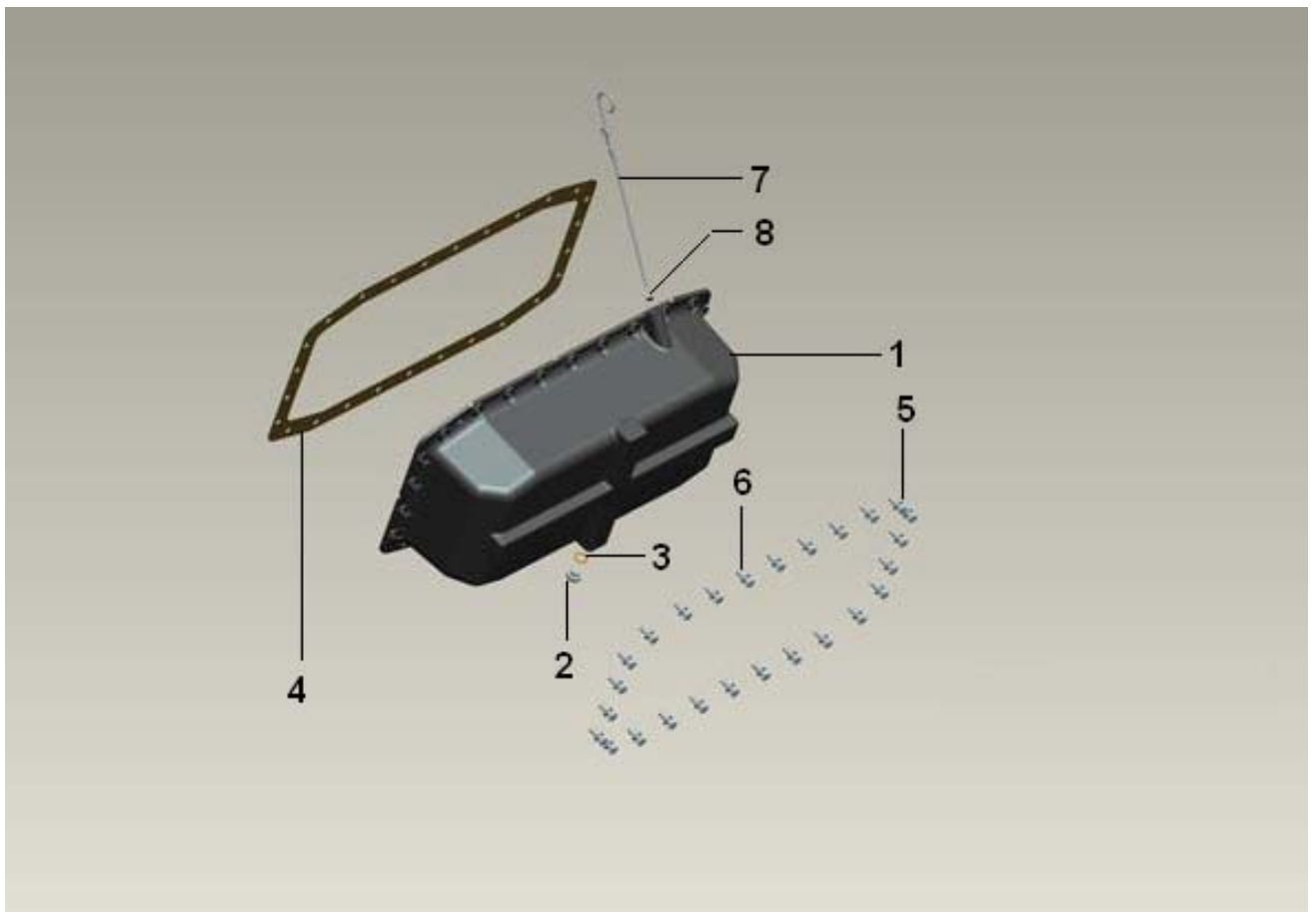
ALTERNATOR ARRANGEMENT





FIG, NO	PART NUMBER	SPECIAL DATA	DESCRIPTION	QTY	REMARK
	P21190790017		ALTERNATOR ARRANGEMENT	1	
1	000767530321		Alternator	1	
2	P21103810034		Pulley for Alternator	1	
3	P21106230035		Bracket for charging alt.	1	
4	P21103300064		Spacer for altr mtg bracket	1	
5	602000101011	M10 x 110 DIA CL 10.9	Hex. Screw	1	
6	602150100105	A 10.5	Washer	4	
7	602100540100	M10	Hex. Nut	4	
8	602150100084	M8	Washer	5	
9	602000500825	M8 x 1.25 x25	Hex. Screw	4	
10	P21103510045		Tension bolt	1	
11	602000100885	M8 x 1.25 x 85	Hex. Screw	1	
12	P21103510024		Swivel bolt	1	
13	P03450211143	A X 43 – 1143L	Cogged belt	2	

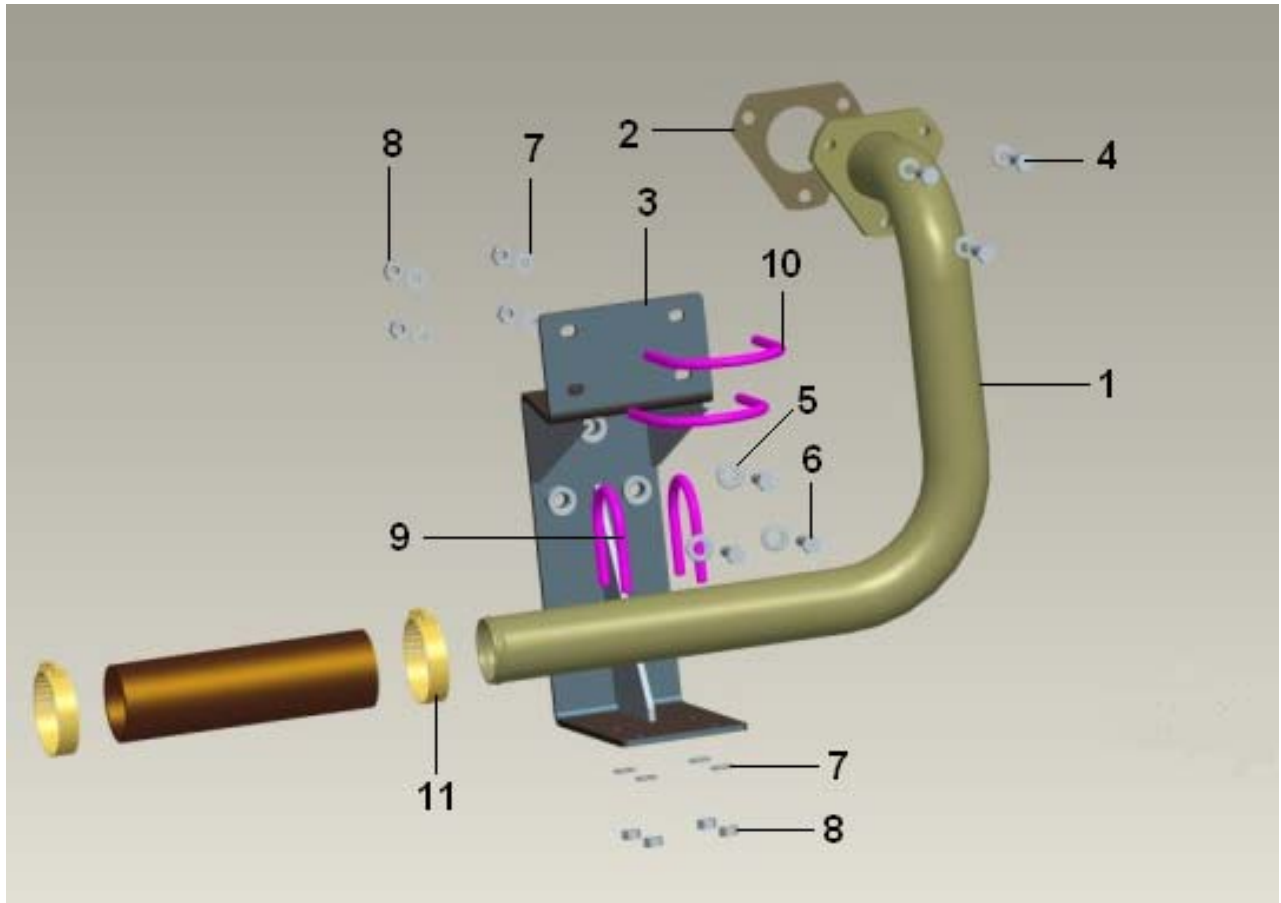
LUB OIL SUMP ASSEMBLY





FIG, NO	PART NUMBER	SPECIAL DATA	DESCRIPTION	QTY	REMARK
	P21101150017		OIL SUMP ASSEMBLY	1	
1	P21101150024		Lub oil sump machined	1	
2	602060501415	M14 x 1.5	Hex. plug	1	
3	604920101420	M14 x 20 x 1.5	Cu washer	1	
4	P21108530064		Gasket for lub oil sump	1	
5	602150100084		Washer for lub oil sump	26	
6	602000500825	M8 x 1.25 x 25 CL8.8	Hex. screw	26	
7	P21103290014		Dipstick	1	
8	104932115103	5 x 3 G11	O ring	1	

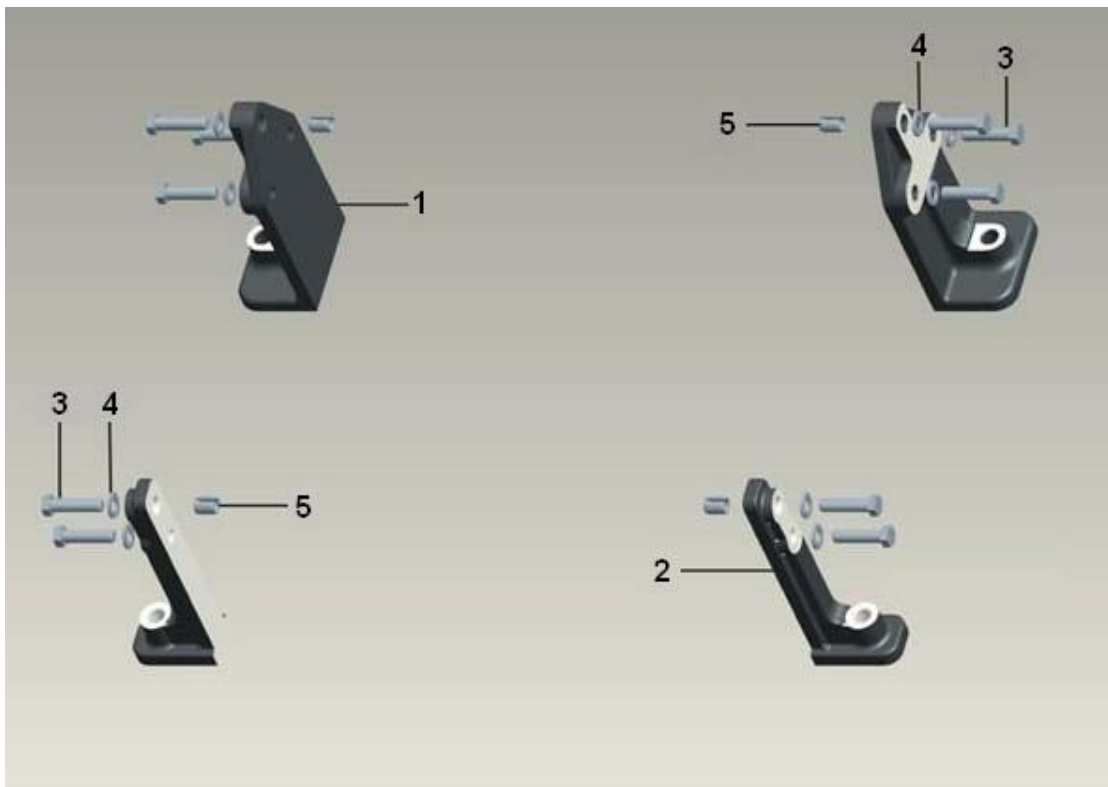
WATER INLET PIPE ASSEMBLY





FIG, NO	PART NUMBER	SPECIAL DATA	DESCRIPTION	QTY	REMARK
	P21109420027		WATER INLET PIPE ASSEMBLY.	1	
1	P21109420055		Water inlet pipe	1	
2	P21108530144		Gasket for water inlet pipe	1	
3	P21106370065		Bracket for after cooler pipe	1	
4	602000501025	M10 x 1.5 x 25 8.8 CL	Hex. Screw	3	
5	602150100105	A 10.5	Plain washer	3	
6	602011020825	M8X1.25X25MM 8.8/CL	Stud	3	
7	602150100084	M8	Washer	11	
8	602100540080	M8	Hex. Nut	11	
9	P21109770014		U clamp for engine inlet pipe	2	
10	P21109770034		U clamp for G11 TA Pipe	2	
11	104015150060	SS W3/ IS 4762 / 2X	Hose clip	2	

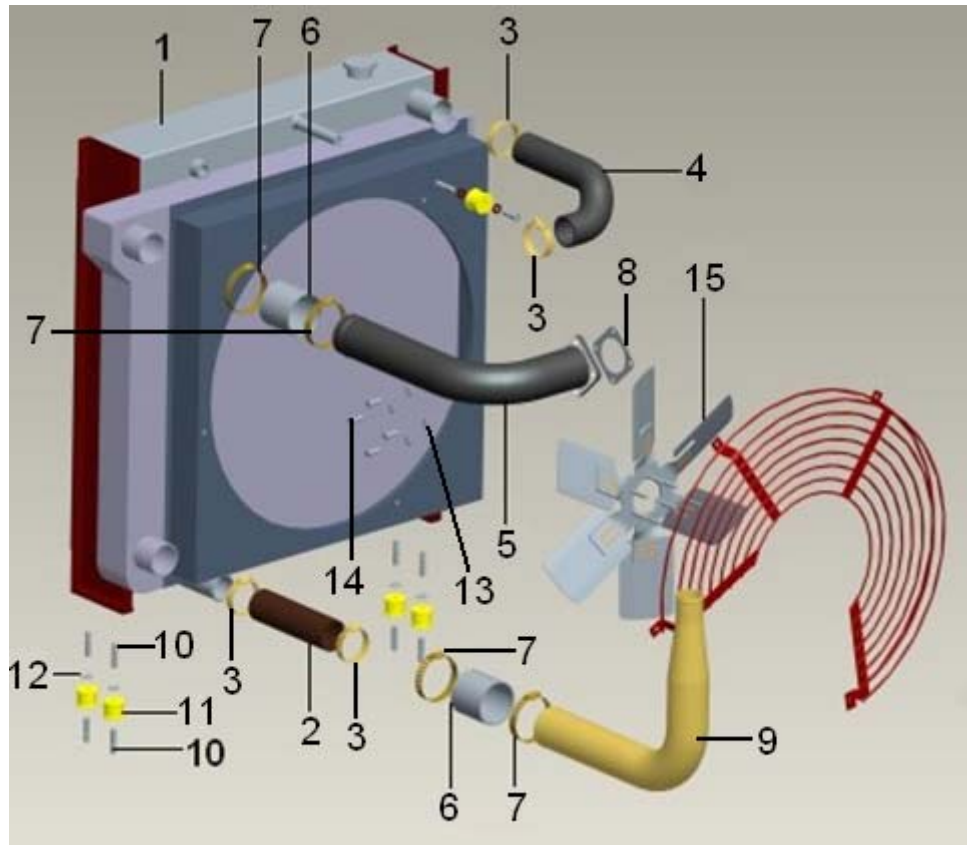
ENGINE BEARERS ASSEMBLY





FIG, NO	PART NUMBER	SPECIAL DATA	DESCRIPTION	QTY	REMARK
	P21106010017		ENGINE BEARERS	1	
1	P21106010024		Engine foot (flywheel end)	2	
2	P21106010014		Engine foot (Gear end)	2	
3	602000101250	M12 x 1.75 x 50	Hex. screw	10	
4	602150100130	13 x 24 x 2.5	M S Washer	10	
5	102201501635	M16 x 35 mm	Hollow dowel	4	

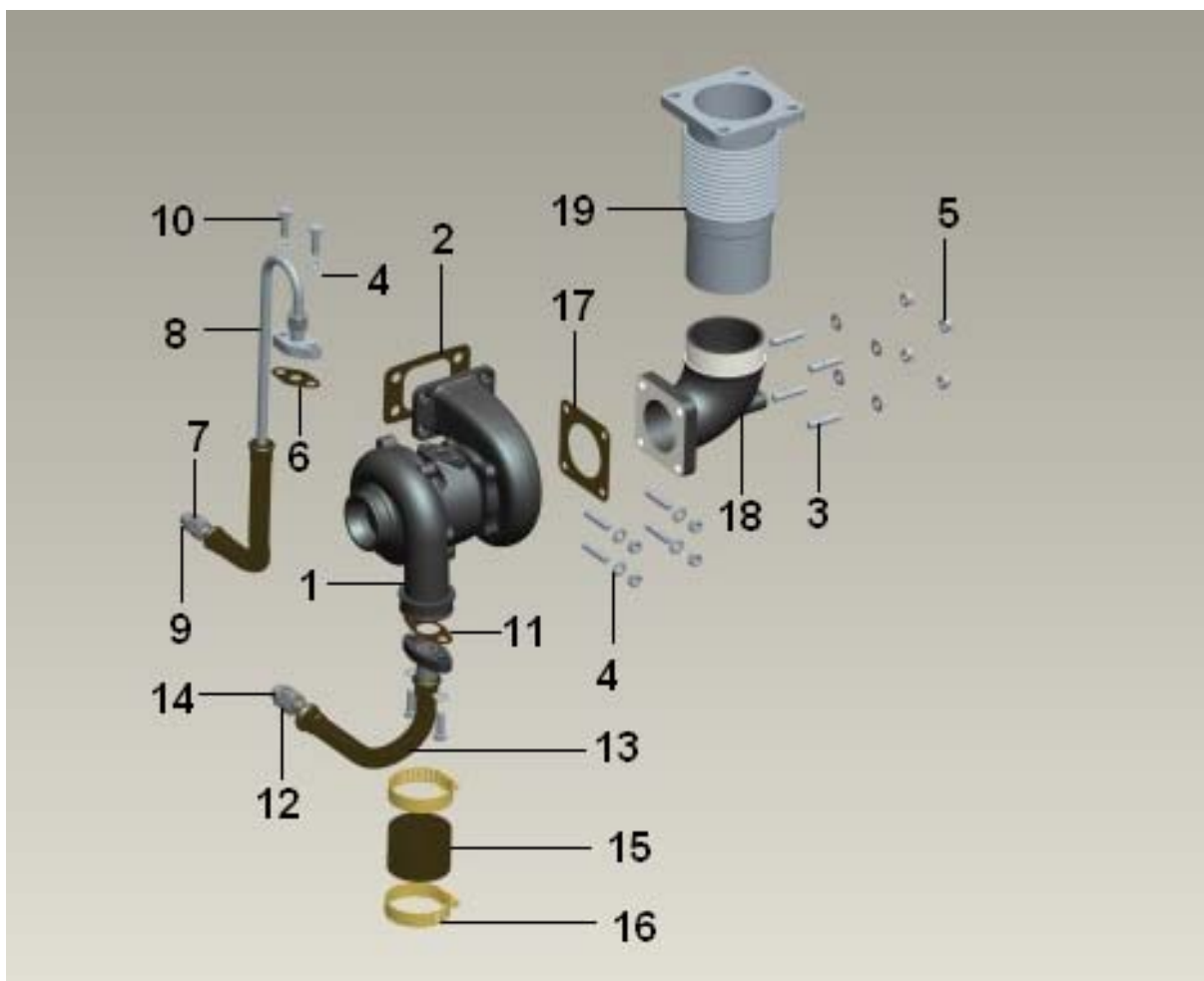
RADIATOR ASSEMBLY





FIG, NO	PART NUMBER	SPECIAL DATA	DESCRIPTION	QTY	REMARK
	P21100520025		RADIATOR- 4TA ASSEMBLY	1	
1	P21100520024		Radiator – 4TA	1	
2	P21108610064	DIA 50x280	Hose	1	
3	104015150060	SS W3/ IS 4762 / 2X	Hose clip	4	
4	P21108610094	OD 60 / ID50	Hose radiator inlet	1	
5	P21109420075		Intermediate pipe	1	
6	P21108610034	DIA 77x70L	Hose	2	
7	604015300850	SG 80-100/12SKZ	Hose clip	4	
8	P21108510024		Gasket, air intake manifold	1	
9	P21109420065		Intermediate pipe t/c- a/f cool	1	
10	602000501020	M10 x 20 CL8.8	Hex. Screw	10	
11	606500100006	A2T/4030B	A V Mounting	5	
12	602150100105	A10.5	Washer	10	
13	602150100084	M8X17X1.6	Washer	4	
14	602000500825	M8X1.25X25 CL8.8	Hex. Screw	4	
15	P21104010024		Fan (Fabricated) - 24"	1	

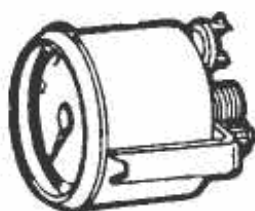
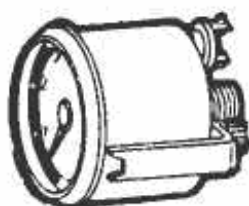
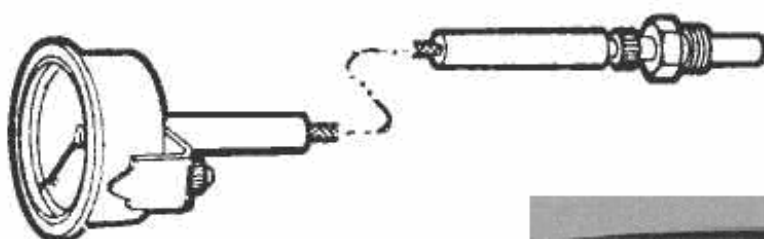
TURBOCHARGER ATTACHMENT





FIG, NO	PART NUMBER	SPECIAL DATA	DESCRIPTION	QTY	REMARK
	P21106030027		TURBOCHARGER ATTACHMENTS	1	
1	P05292000001		Turbocharger tel-tr 59	1	
2	P21108530084		Gasket, exhaust manifold	1	
3	102011070834	M8X34 LONG	Stud - (ST.STEEL)	8	
4	602150100084	M8	Washer	16	
5	602100540081	M8	Hex. Nut	8	
6	P21108530184		Gasket, t/c oil supply	1	
7	P21103550074		Adapt. turbo	1	
8	P21109010045		Pipe, turbo oil supply	1	
9	604920101824	(1.5MM)	Cu. washer	1	
10	602000500825	M8 x 1.25 x25	Hex. Screw	8	
11	P21108530194		Gasket, t/c oil drain	1	
12	P21103550084		Adapt. turbo	1	
13	P21109010025		Pipe, turbo drain	1	
14	604920101418	M14X18X1.5	Cu. washer	1	
15	P21108610044	DIA 50x55L	Hose	1	
16	104015150060	SS W3/ IS 4762 / 2X	Hose clip	2	
17	P21108530214		Gasket of turbo out & exhaust.	1	
18	P21109310034		Exhaust elbow	1	
19	P21199930015		Exhaust bellow 4g11	1	

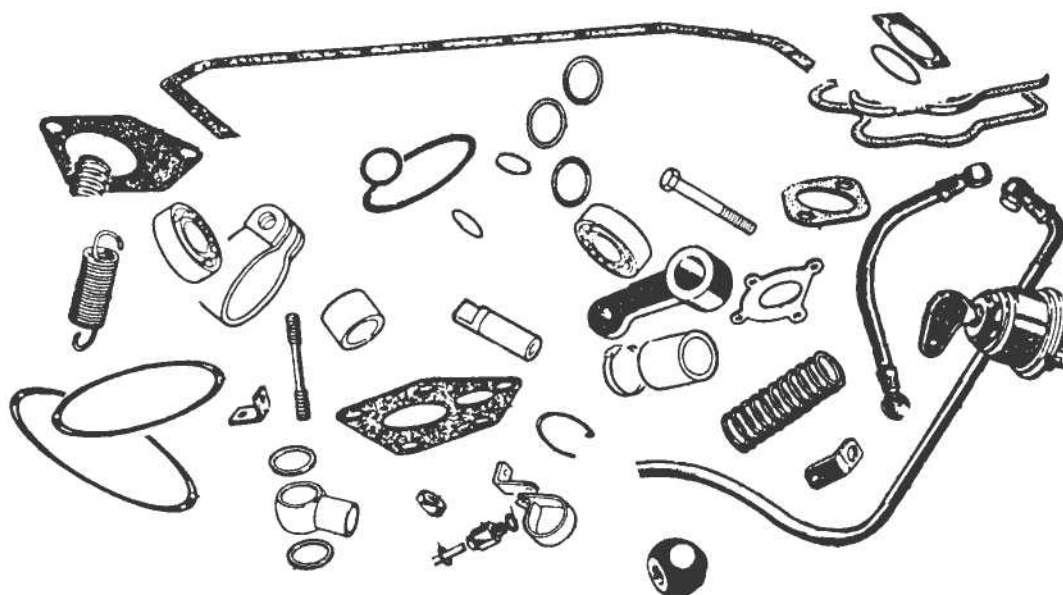
ELECTRIC INSTRUMENT





FIG, NO	PART NUMBER	SPECIAL DATA	DESCRIPTION	QTY	REMARK
	P21190210018		ELECT.INSTR.+GAUGES=KRB101EPU	1	
1	P21106370045		INSTR.PANEL CUM BKT.=KRB EPU	1	
2	105782010025	2.5Kg/Sqcm,M10X1 THD	LOP SWITCH	1	
3	105685090068	95+/-2DegCel	WATER TEMP.SWITCH	1	
4	000127320045	0-0BAR+SENSOR	ELE PRESS GAUGE	1	
5	000127320043	0-10Kg/cm2,ø52	12V,PRESS.GAUGE,	1	
6	605616000006		PRESSURE TRANSDUCER	1	
7	P21103550044	M10X1mm=	ADAPTOR=LOP SW/SENSOR	1	
8	000127320041	(40-120 deg.cel)	12V,TEMP.GAUGE	1	
9	605685090030		SENSOR-FOR ETG ELECT. 24V	1	
10	001700530031		AMMETER	1	
11	P21100780018		F/OFF SOL.+ EPU (KRB101)	1	
12	P21100780017		FUEL OFF SOL.12VDC WITH FINE	1	
13	P21190770018		EPU+WIRING=KRB101=STD	1	
14	100007760946		ENGINE PROTECTION UNIT- KRB101	1	
15	P21190770017		EWD WITH KRB101 EPU	1	

SET OF SPARE





FIG, NO	PART NUMBER	SPECIAL DATA	DESCRIPTION	QTY	REMARK
			SET OF SPARE	1	
1	141100190108		Set of gasket	1	
2	141100190228		Set of 'O' Ring	1	
3	141100190128		Set of hoses	1	
4	141100190068		Set of cyl. head valves	1	
5	141100190208		Set of fan drive belts	1	
6	141109060017		High pr. pipe set 4G11 engine	1	



NUMERICAL INDEX

PART No. TO PAGE No. AND FIG

CODE NO	FIG NO	PAGE NO	CODE NO	FIG NO	PAGE NO
000127320041	8	58	141108530134	12	14
000127320043	5	58	141109060017	11	30
000127320045	4	58	602000100840	30	44
000707530229	6	34	602000100855	10	28
000767530321	1	46	602000100855	31	44
001200240183	16	30	602000100860	5	42
001200240911	17	30	602000100865	13	26
001200240912	17A	30	602000100885	11	46
001700530031	10	58	602000101011	5	46
001700531019	13	42	602000101050	3	20
100000120024	8	42	602000101060	15	40
100007760946	14	58	602000101250	3	52
102011070834	3	56	602000101660	3	36
102011071050	3	24	602000120860	21	18
102041002020	12	8	602000120860	25	18
102201501110	20	16	602000500610	7	40
102201501635	5	52	602000500610	19	42
104015150040	15	26	602000500825	5	12
104015150060	11	50	602000500825	7	22
104015150060	3	54	602000500825	4	26
104015150060	16	56	602000500825	15	28
104932111144	19	8	602000500825	8	30
104932115103	8	48	602000500825	3	38
104932117704	2	40	602000500825	4	40
104932117802	11	40	602000500825	3	42
104932119204	3	40	602000500825	9	46
104960650100	14	42	602000500825	6	48
104960650160	3	34	602000500825	14	54
105200240009	1	30	602000500825	10	56
105302000055	10	30	602000501020	4	22
105685090068	3	58	602000501020	10	34
105761010002	1B	22	602000501020	10	54
105782010025	2	58	602000501025	14	30
141100190047	18	8	602000501025	4	50
141100190058	17	8	602000501030	22	44
141100190098	6	14	602000501235	18	30
141100190138	8A	16	602000501240	4	34
141100190218	2	14	602007041660	16	42
141103320014	3	16	602011020825	6	50
141103400017	5	10	602012021030	12	22
141103450014	5	16	602012021030	3	30
141103450024	4	16	602012021030	7	34
141104306017	6	8	602060501415	14	8
141104320014	2	8	602060501415	12	26



NUMERICAL INDEX

PART No. TO PAGE No. AND FIG

CODE NO	FIG NO	PAGE NO	CODE NO	FIG NO	PAGE NO
602060501415	4	28	602152180030	9	8
602060501415	30	32	602201000512	17	42
602060501415	2	48	602201000614	2	12
602100540080	8	50	602201000814	13	14
602100540081	5	56	602201001020	15	8
602100540100	6	22	602201001020	5	38
602100540100	5	30	602201001028	16	8
602100540100	8	34	602201001028	2	10
602100540100	7	46	602201500406	5	8
602100540810	18	16	602201500416	3	10
602100700100	5	24	603050100016	5	14
602150100064	8	40	603050100016	19	16
602150100064	20	42	603050100035	27	44
602150100084	4	12	603050200062	26	44
602150100084	22	18	603200716007	24	44
602150100084	8	22	604015300650	2	22
602150100084	3	26	604015300850	7	54
602150100084	11	28	604015301050	9	22
602150100084	9	30	604043200004	28	32
602150100084	2	38	604043200008	20	30
602150100084	5	40	604920100814	14	14
602150100084	4	42	604920100814	19	40
602150100084	8	46	604920101014	29	32
602150100084	5	48	604920101420	13	8
602150100084	7	50	604920101418	14	56
602150100084	13	54	604920101420	11	26
602150100084	4	56	604920101420	16	28
602150100105	4	20	604920101420	21	32
602150100105	5	22	604920101420	3	48
602150100105	4	24	604920101620	3	28
602150100105	4	30	604920101824	9	56
602150100105	15	30	604920102227	6	28
602150100105	9	34	604920102530	17	28
602150100105	16	40	605411880008	13	28
602150100105	23	44	605616000006	6	58
602150100105	6	46	605685090030	9	58
602150100105	5	50	606500100006	11	22
602150100105	12	54	606500100006	11	54
602150100130	19	30	632413270014	11	8
602150100130	5	34	P02041002018	5	28
602150100130	4	52	P02201000414	9	14
602150100170	4	36	P02402201001	9	16
602152180025	10	8	P02403101001	8	16
602152180025	2	16	P03450211143	13	46



NUMERICAL INDEX

PART No. TO PAGE No. AND FIG

CODE NO	FIG NO	PAGE NO	CODE NO	FIG NO	PAGE NO
P04041110001	12	28	P21103530024	10	14
P04043300826	15	14	P21103550014	4	38
P04043300826	18	40	P21103550044	7	28
P04043301022	27	32	P21103550044	7	58
P04960650121	11	16	P21103550074	7	56
P05020303801	4	14	P21103550084	12	56
P05250100002	7	26	P21103580014	17	16
P05250100003	6	26	P21103710014	6	10
P05292000001	1	56	P21103710026	12	40
P05300100001	11A	30	P21103710034	3	12
P06962970002	2	28	P21103710044	7	30
P21100520024	1	54	P21103710064	20	40
P21100780017	12	58	P21103750014	2	36
P21100780018	11	58	P21103810014	15	42
P21101010012	3	8	P21103810024	28	44
P21101010022	4	8	P21103810034	2	46
P21101100016	1	8	P21104010024	15	54
P21101150024	1	48	P21104110014	6	30
P21101320014	20	8	P21104306017	8	14
P21101400016	1	10	P21104600014	6	16
P21101450014	1	36	P21104600024	7	16
P21101600018	7	14	P21104620014	10	16
P21101600026	1	14	P21104650025	17	40
P21101600044	3	14	P21104650046	11	14
P21101700014	1	12	P21106010014	2	52
P21101800014	1	16	P21106010024	1	52
P21103000024	13	40	P21106100024	13	16
P21103210014	29	18	P21106230014	21	44
P21103250014	7	12	P21106230035	3	46
P21103270014	16	16	P21106232744	10	22
P21103290014	7	48	P21106370035	13	30
P21103300014	4	10	P21106370045	1	58
P21103300034	25	44	P21106370065	3	50
P21103300044	29	44	P21106450014	14	16
P21103300064	4	46	P21106450024	15	16
P21103400054	7	8	P21106500014	14	40
P21103400104	26	18	P21106500024	18	42
P21103420014	12	16	P21106500034	7	42
P21103500014	28	18	P21106730014	6	12
P21103500024	8	8	P21107010014	1	34
P21103510024	12	46	P21107240018	26	32
P21103510034	21	8	P21107240118	25	32
P21103510045	10	46	P21107300017	10	40
P21103520014	11	42	P21107310017	1	40



NUMERICAL INDEX

PART No. TO PAGE No. AND FIG

CODE NO	FIG NO	PAGE NO	CODE NO	FIG NO	PAGE NO
P21107520014	1	28	P21109390025	23	32
P21107800024	2	42	P21109390055	12	30
P21107870014	9	42	P21109390085	24	32
P21107880014	1	38	P21109400015	9	28
P21107960024	24	18	P21109420034	12	42
P21108510014	2	20	P21109420054	9	26
P21108510024	8	54	P21109420055	1	50
P21108520014	8	28	P21109420065	9	54
P21108530024	1	42	P21109420075	5	54
P21108530034	6	38	P21109770014	9	50
P21108530044	6	42	P21109770034	10	50
P21108530054	14	28	P21190770017	15	58
P21108530064	4	48	P21190770018	13	58
P21108530074	2	26	P21193550014	10	26
P21108530084	2	56	P21199930015	19	56
P21108530104	2	24			
P21108530114	2	34			
P21108530144	2	50			
P21108530154	5	26			
P21108530164	8	26			
P21108530174	2	30			
P21108530184	6	56			
P21108530194	11	56			
P21108530214	17	56			
P21108530224	6	40			
P21108530304	23	18			
P21108540014	27	18			
P21108550014	10	42			
P21108610024	14	26			
P21108610034	6	54			
P21108610044	15	56			
P21108610064	2	54			
P21108610094	4	54			
P21108610114	3	22			
P21109010015	9	40			
P21109010025	13	56			
P21109010045	8	56			
P21109010055	22	32			
P21109100014	1	26			
P21109200014	1	20			
P21109230041	1A	22			
P21109230047	1	22			
P21109310014	1	24			
P21109310034	18	56			